

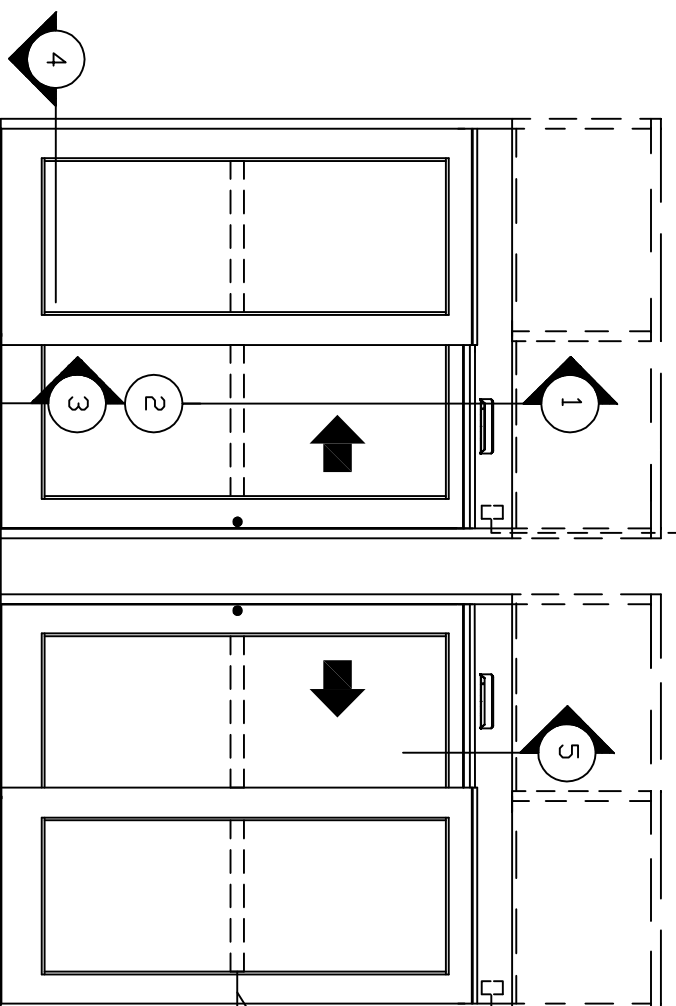
COVER SIDE

EXTERIOR

4 1/2" (114.3)

* ELECTRICAL SERVICE
120 VAC, 50/60 HZ,
15/20A, BY ELEC. CONTR.
TO JUNCTION BOX.

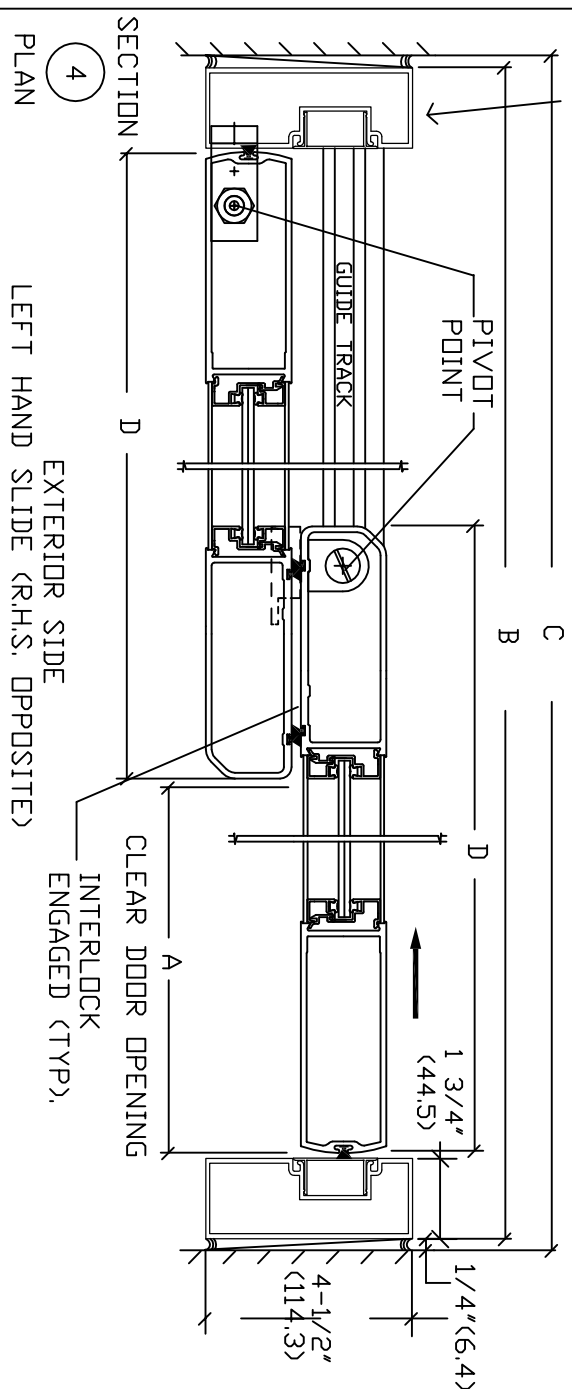
TRANSOM FRAMING
OPTIONAL



LEFT HAND SLIDE

RIGHT HAND SLIDE

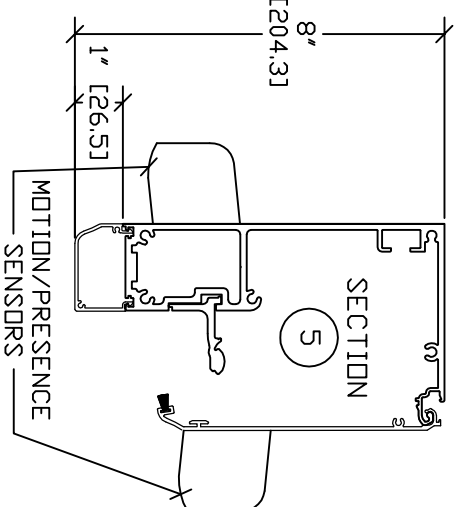
Optional Factory Prep
Switch Location @
74-1/2"H



SECTION 4

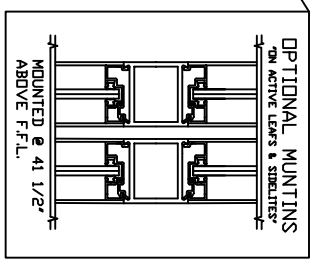
EXTERIOR SIDE
LEFT HAND SLIDE (R.H.S. OPPOSITE)

CLEAR DOOR OPENING
INTERLOCK
ENGAGED (TYP.)



SECTION 5

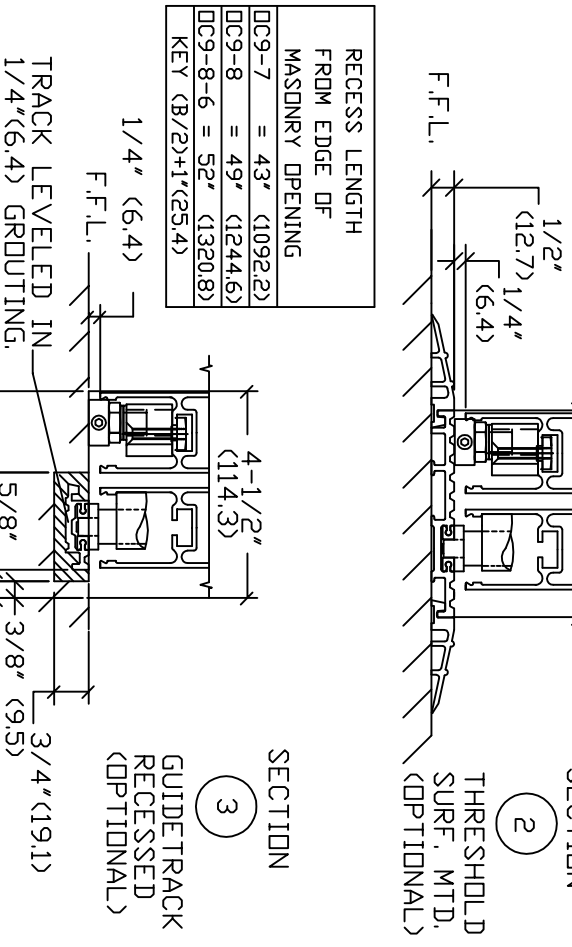
MOTION/PREFERENCE
SENSORS



OPTIONAL MUNTINS
ON ACTIVE LEAVES & SASHES
MOUNTED @ 41 1/2"
ABOVE F.F.L.

F.F.L.

NON REMOVABLE
SECURITY TYPE
GLAZING BEAD
SYSTEM (TYP.)
1/4" STANDARD.



TRACK LEVELED IN
1/4" (6.4) GRUUTING.
1 3/4" (44.4)

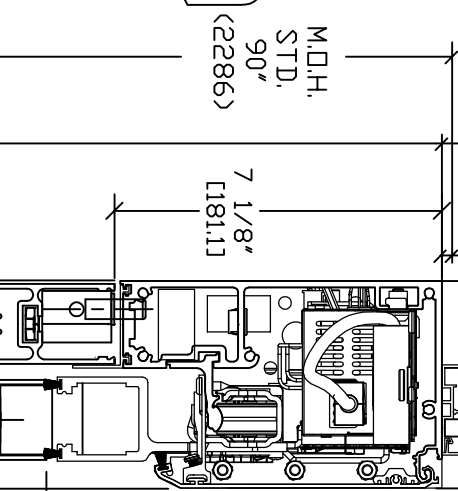
DC9-7	= 43"	(1092.2)
DC9-8	= 49"	(1244.6)
DC9-8-6	= 52"	(1320.8)
KEY	(B/2)+1"	(25.4)

RECESS LENGTH
FROM EDGE OF
MASONRY OPENING

1/4" (6.4)
F.F.L.
4-1/2" (114.3)
5/8" (15.8)
3/8" (9.5)
3/4" (19.1)
2 3/8" (60.3)

TRANSOM
OPTIONAL

4 1/2" (114.30)
1 3/4" (44.7)



SECTION 1

HEADER

D.F.H.
STD.
89-3/4"
(2279.7)

STD HT
80 7/8"
(205.4)

BREAKOUT SIDE

COVER SIDE

SECTION 2

GUIDETRACK
SURF. MTD.
(STANDARD)

SECTION 2

THRESHOLD
SURF. MTD.
(OPTIONAL)

SECTION 3

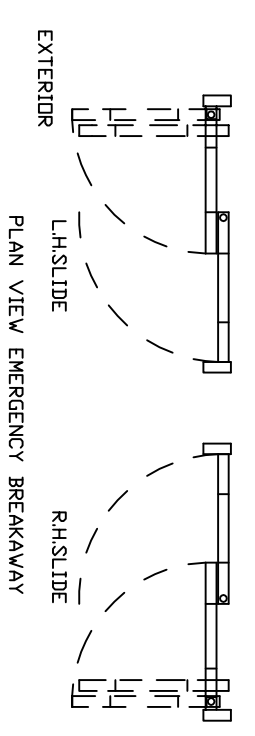
GUIDETRACK
RECESSED
(OPTIONAL)

NOTE: THE STANDARD PACKAGE CONSISTS OF:
THE AUTOMATIC OPERATOR & WEATHERSTRIP. FRAMES, DOORS &
SIDELITES WITH VERTICAL WEATHERSTRIP, EMERGENCY BREAKAWAY
& 2-POINT LOCK. 5 OR 3 POSITION SWITCHES (DIGITAL (3 OR 5) OR
KEY (5)), (OFF-EXIT ONLY-AUTO-REDUCED OPENING-HOLD OPEN OR
OFF-AUTO, HOLD OPEN), MOTION/PRESENCE SENSORS, OPTIONAL 6"
JAMBS.
STANDARD FINISH: CLEAR-AA-M12C22A41, CLASS 1, .018 MM,
DARK BRONZE-AA-M12C22A44, CLASS 1, .018MM
SPECIAL FINISHES ARE AVAILABLE.
THIS PACKAGE WILL ACCEPT UP TO 1"(25.4) INSULATED GLASS
IN THE SIDELITES AND ACTIVE LEAVES. PLEASE INDICATE IF SO
DESIRED.
ENHANCE YOUR BESAM SL500 PACKAGE WITH ECCODOR OPTIONS TO
IMPROVE AIR INFILTRATION PERFORMANCE. CHOOSE FROM: ECCODOR
SEALS, MAGNETIC CATCHES, HYDRAULIC CLOSERS, INSULATED GLASS.
NOTE DRAWING IS DIMENSIONED IN BOTH ENGLISH AND METRIC.
REF. AS FOLLOWS 1" (25.4) ALL METRIC SIZES ARE MILLIMETERS.
* FOR MAXIMUM CURRENT DRAW PER OPERATOR, SEE PRODUCT
SPECIFICATION, INSTALLATION INSTRUCTIONS, OR THE UL
LABEL ON THE EQUIPMENT.
REFER TO RELEVANT (LOCAL, STATE, NATIONAL OR AHD) BUILDING
CODE FOR MIN DOOR HEIGHT & MIN/MAX WIDTH ALLOWABLE
FOR EGRESS REQUIREMENT IN CONJUNCTION WITH TABLE BELOW.

SL500 DHC	DOOR OPENING A	OVERALL FRAME WIDTH B	MASONRY OPENING WIDTH C	ACTIVE & SIDELITE LEAF WIDTH D
DC9-7	31" (787.4)	84" (2133.6)	84 1/2" (2146.3)	42 7/8" (1089)
DC9-8	37" (939.8)	96" (2438.4)	96 1/2" (2451.1)	48 7/8" (1241.4)
DC9-8-6	40" (1016)	102" (2590.8)	102 1/2" (2603.5)	51 7/8" (1317.6)
KEY	(B/2)-11" (B/2)-(279.4)	(C-1/2") (C-12.7)	(B+1/2") (B+12.7)	(B/2)+7/8" (B/2)+(22.2)

STANDARD GLASS SIZES ARE AS FOLLOWS:

SL500 DHC	1/4" (6.4)	5/8" (15.9) AND 1" (25.4)
DC9-7	W 32 3/8" (822.3) H 71 11/16" (1820.9)	32 1/8" (815.9) 71 3/16" (1808.2)
DC9-8	W 38 3/8" (974.7) H 71 11/16" (1820.9)	38 1/8" (968.4) 71 3/16" (1808.2)
DC9-8-6	W 41 3/8" (1050.9) H 71 11/16" (1820.9)	41 1/8" (1044.6) 71 3/16" (1808.2)
KEY	(B/2)-9 5/8" (B/2)-(244.5)	(B/2)-9 7/8" (B/2)-(250.8)
HEIGHT	(DFH)-18 1/16" (DFH)-(458.8)	(DFH)-18 9/16" (DFH)-(471.5)



EXTERIOR
L.H. SLIDE
R.H. SLIDE
PLAN VIEW EMERGENCY BREAKAWAY

DATE	11/9/12	CHK BY	SS	DATE	11/14/12	REV	5.0	DATE	1/21/15
DWG NO.	1009870								
DRN BY	CLW								