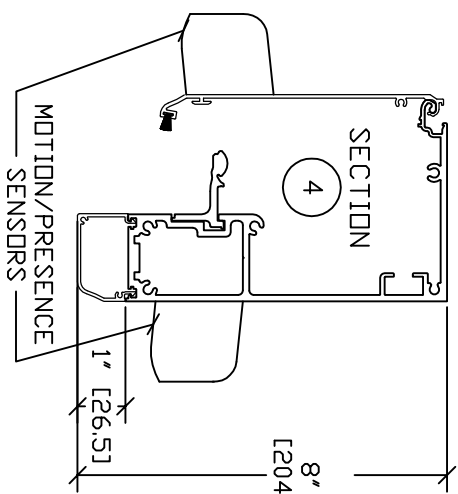
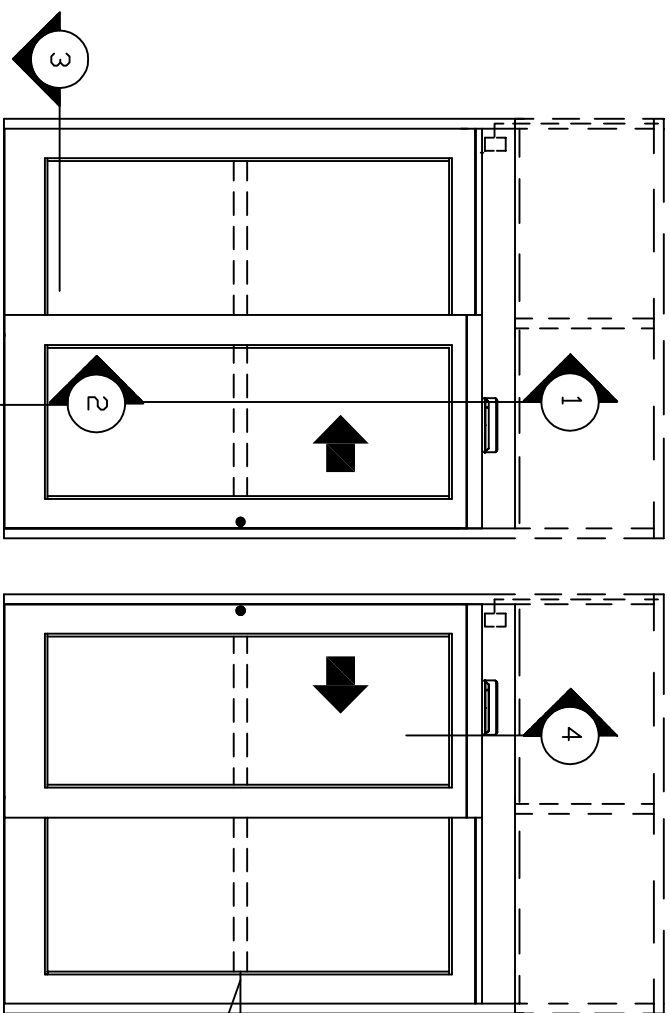


* ELECTRICAL SERVICE
120 VAC, 50/60 HZ,
15/20A, BY ELEC. CONTR.
TD JUNCTION BOX

TRANSOM
FRAMING
OPTIONAL



SECTION 1
HEADER

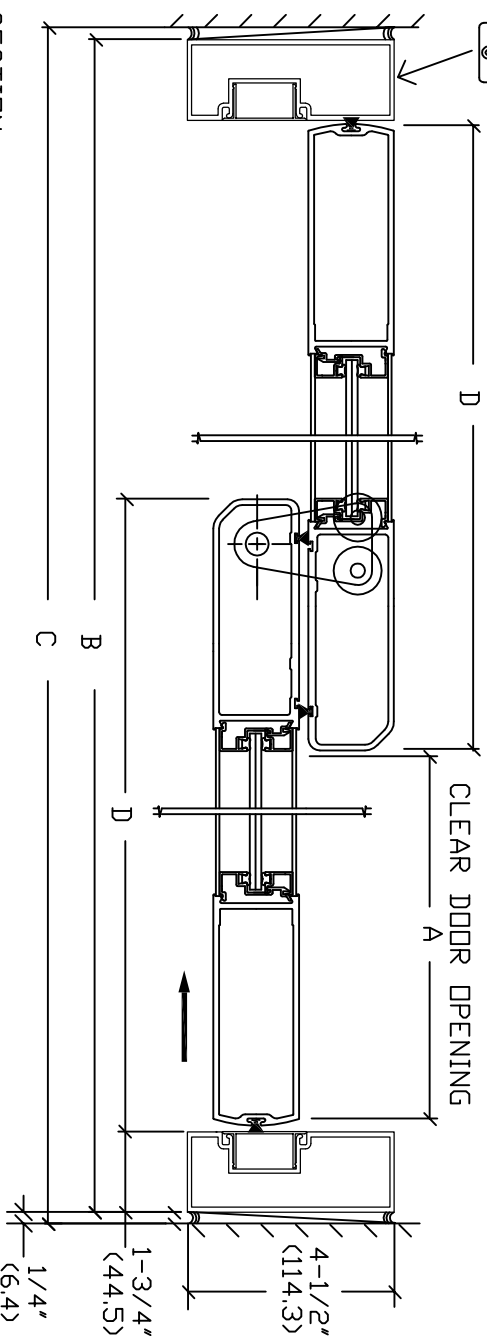
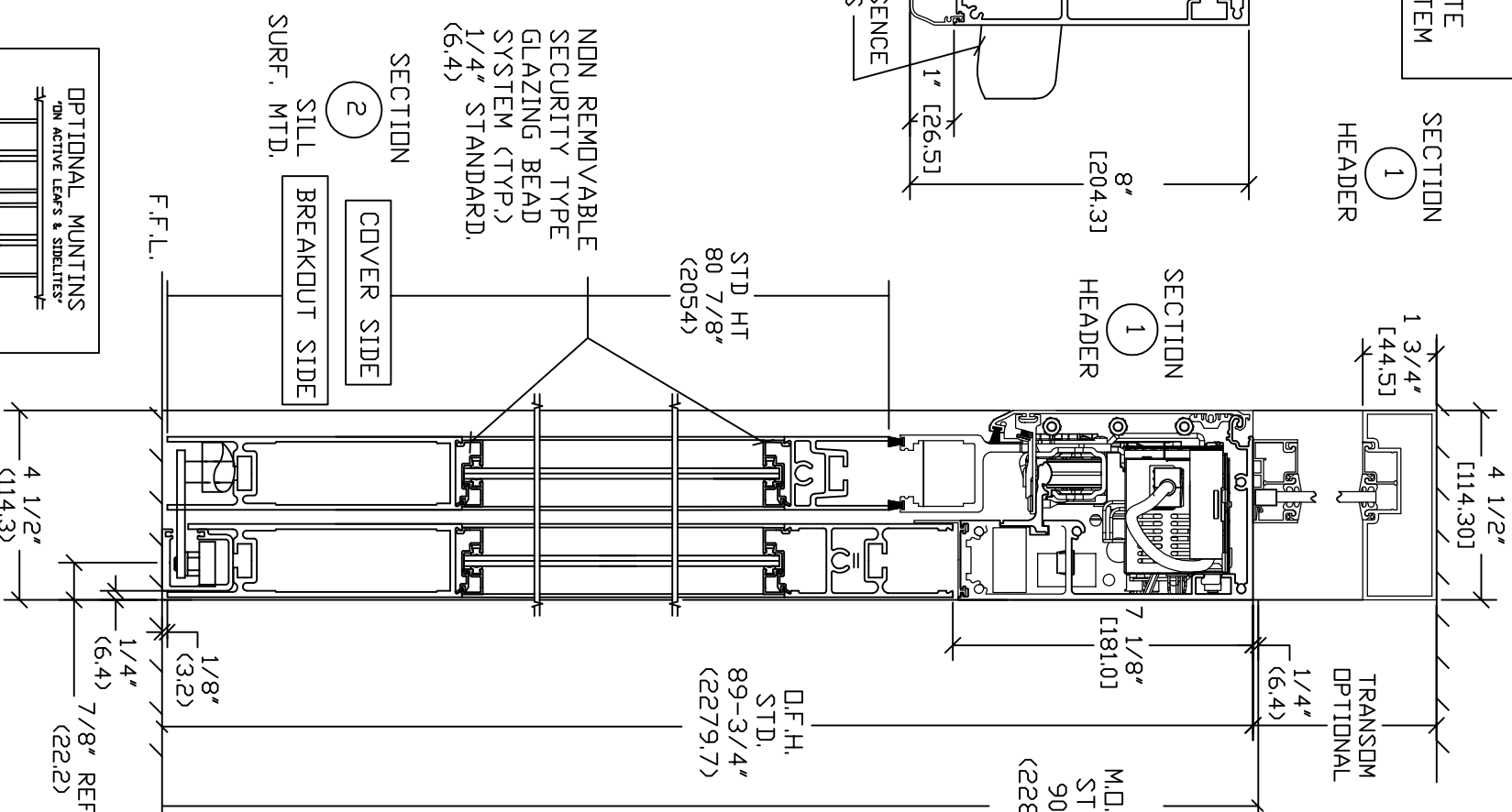
SECTION 1
HEADER

STD HT
80 7/8" (205.4)

D.F.H.
STD.
89-3/4" (2279.7)

M.D.H.
STD.
90" (2286)

TRANSOM
OPTIONAL



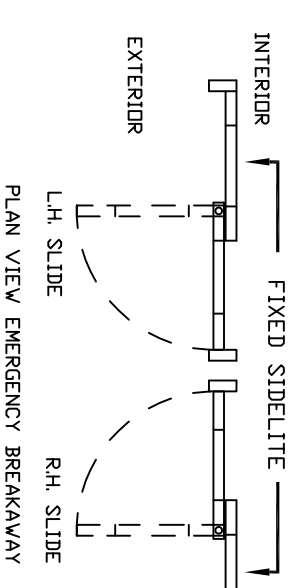
SECTION 3
PLAN

NOTE: THE STANDARD PACKAGE CONSISTS OF:
THE AUTOMATIC OPERATOR & WEATHERSTRIP, FRAMES, DOORS & SIDELITES WITH VERTICAL WEATHERSTRIP, EMERGENCY BREAKAWAY & 2-POINT LOCK, OPTIONAL POSITION SWITCHES (DIGITAL (3 OR 5) OR KEY (5)), OFF-EXIT ONLY-AUTO-REDUCED OPENING-HOLD OPEN OR, OFF-AUTO, HOLD OPEN, MOTION/PRESENCE SENSORS, OPTIONAL 6" JAMBS.
STANDARD FINISH: CLEAR-AA-M12C22A41, CLASS 1, .018 MM. DARK BRONZE-AA-M12C22A44, CLASS 1, .018 MM. SPECIAL FINISHES ARE AVAILABLE.
THIS PACKAGE WILL ACCEPT UP TO 1" (25.4) INSULATED GLASS ENHANCE YOUR BESAM SL500 PACKAGE WITH ECODDOR OPTIONS TO IMPROVE AIR INFILTRATION PERFORMANCE. CHOOSE FROM ECODDOR SEALS, MAGNETIC CATCHES, HYDRAULIC CLOSERS, INSULATED GLASS.
NOTE DRAWING IS DIMENSIONED IN BOTH ENGLISH AND METRIC. REF. AS FOLLOWS 1" (25.4) ALL METRIC SIZES ARE MILLIMETERS.
* FOR MAXIMUM CURRENT DRAW PER OPERATOR, SEE PRODUCT SPECIFICATION, INSTALLATION INSTRUCTIONS, OR THE UL LABEL ON THE EQUIPMENT.
REFER TO RELEVANT LOCAL, STATE, NATIONAL OR AHD BUILDING CODE FOR MIN DOOR HEIGHT & MIN/MAX WIDTH ALLOWABLE FOR EGRESS REQUIREMENT IN CONJUNCTION WITH TABLE BELOW.

KEY	DOOR OPENING	OVERALL FRAME WIDTH	MASONRY OPENING WIDTH	ACTIVE & SIDELITE LEAF WIDTH
DC11-7	31" (787.4)	84" (2133.6)	84 1/2" (2146.3)	42 7/8" (1089)
DC11-8	37" (939.8)	96" (2438.4)	96 1/2" (2451.1)	48 7/8" (1241.4)
DC11-8-6	40" (1016)	102" (2590.8)	102 1/2" (2603.5)	51 7/8" (1317.6)
KEY	(B/2)-11" (B/2)-(279.4)	(C-12") (C-12.7)	(B+1/2") (B+12.7)	(B/2)+7/8" (B/2)+(22.2)

STANDARD GLASS SIZES ARE AS FOLLOWS:

KEY	WIDTH	HEIGHT
SL500 DHC	1/4" (6.4)	5/8" (15.9) AND 1" (25.4)
DC11-7	W 32 3/8" (822.3) H 71 11/16" (1820.9)	32 1/8" (815.9) 71 3/16" (1808.2)
DC11-8	W 38 3/8" (974.7) H 71 11/16" (1820.9)	38 1/8" (968.4) 71 3/16" (1808.2)
DC11-8-6	W 41 3/8" (1050.9) H 71 11/16" (1820.9)	41 1/8" (1044.6) 71 3/16" (1808.2)
KEY	(B/2)-9 5/8" (B/2)-(244.5) (DFH)-18 1/16" (DFH)-(458.8)	(B/2)-9 7/8" (B/2)-(250.8) (DFH)-18 9/16" (DFH)-(471.5)



DRW BY	CLW	DATE	CHK BY	SS	DATE	REV	DATE
		11/9/12			11/14/12	3.0	5/28/14