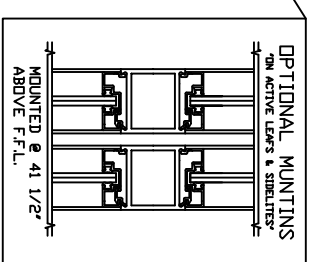
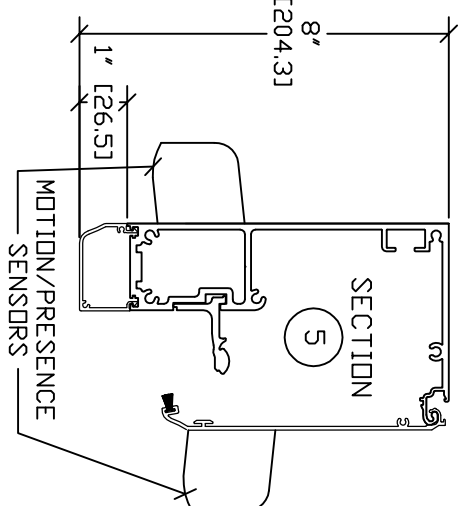
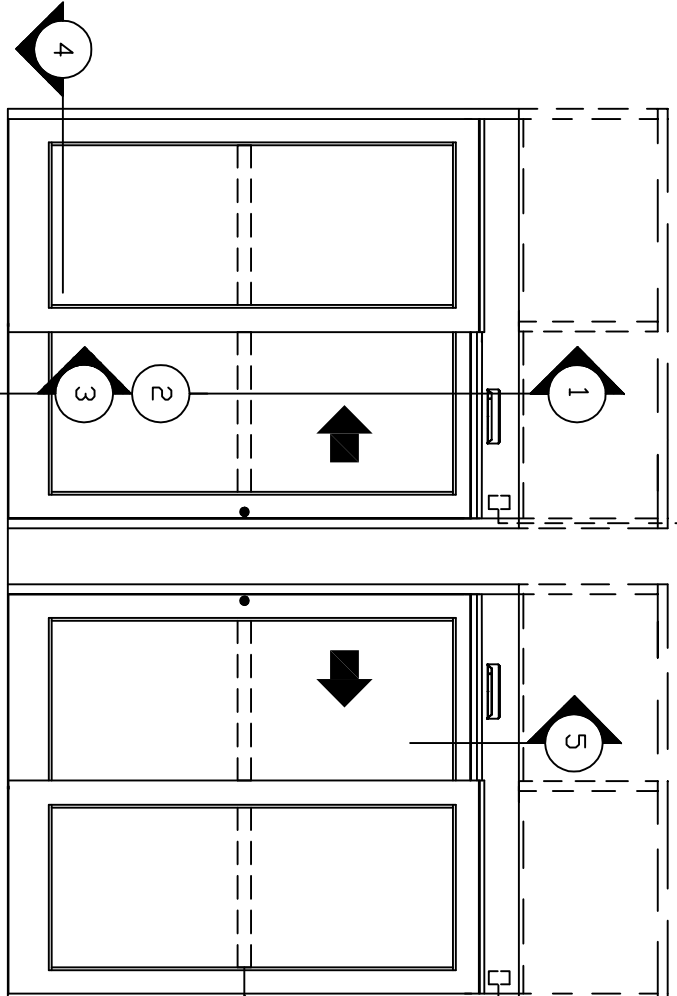
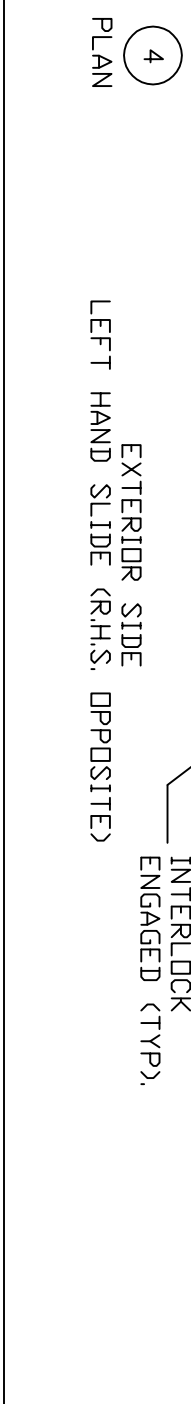
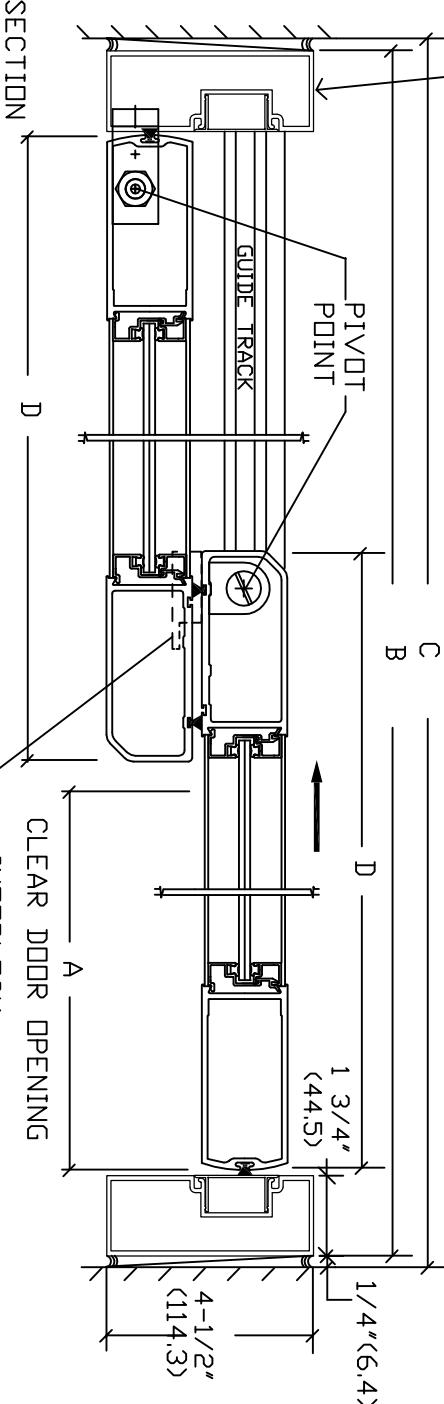
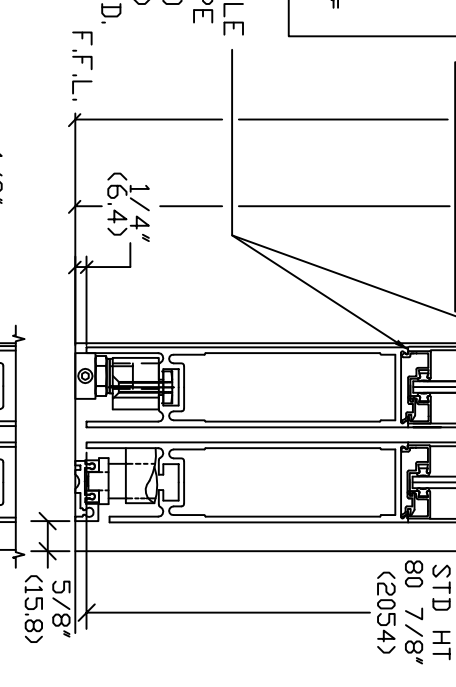
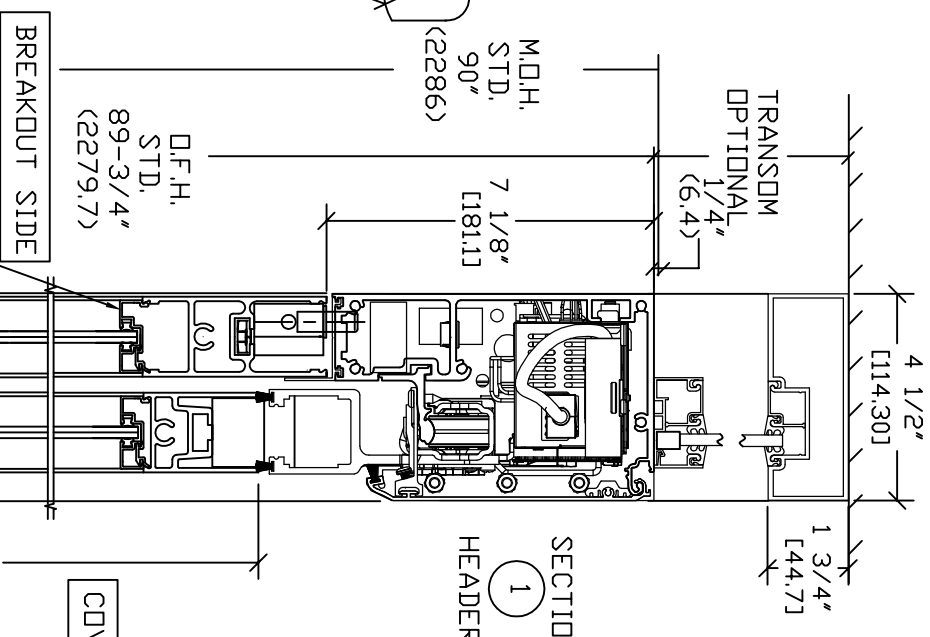


* ELECTRICAL SERVICE
120 VAC, 50/60 HZ,
15/20A, BY ELEC. CONTR.
TO JUNCTION BOX.

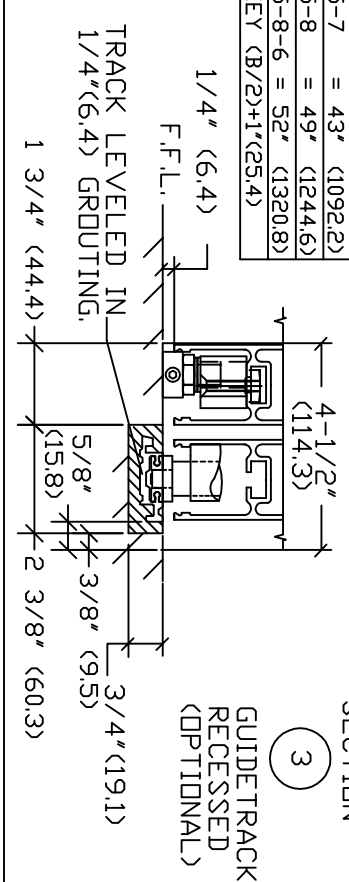
TRANSOM FRAMING
OPTIONAL



NON REMOVABLE SECURITY TYPE GLAZING BEAD SYSTEM (TYP.) 1/4" STANDARD.



DCS-7	= 43"	(1092.2)
DCS-8	= 49"	(1244.6)
DCS-8-6	= 52"	(1320.8)
KEY	(B/2)+1"	(25.4)



NOTE: THE STANDARD PACKAGE CONSISTS OF:
THE AUTOMATIC OPERATOR & WEATHERSTRIP, FRAMES, DOORS & SIDELITES WITH VERTICAL WEATHERSTRIP, EMERGENCY BREAKAWAY & 2-POINT LOCK, OPTIONAL POSITION SWITCHES (DIGITAL (3 DR 5) OR KEY (5)), OFF-EXIT ONLY-AUTO-REDUCED OPENING-HOLD OPEN or OFF, AUTO, HOLD OPEN), MOTION/PRESENCE SENSORS, OPTIONAL 6" JAMBS, STANDARD FINISH:
CLEAR-AA-M12C22A41, CLASS 1, .018 MM.
DARK BRONZE-AA-M12C22A44, CLASS 1, .018MM
SPECIAL FINISHES ARE AVAILABLE.

THIS PACKAGE WILL ACCEPT UP TO 1"(25.4) INSULATED GLASS IN THE SIDELITES AND ACTIVE LEAVES. PLEASE INDICATE IF SO DESIRED.

ENHANCE YOUR BESAM SL500 PACKAGE WITH ECDDOOR OPTIONS TO IMPROVE AIR INFILTRATION PERFORMANCE. CHOOSE FROM: ECDDOOR SEALS, MAGNETIC CATCHES, HYDRAULIC CLOSERS, INSULATED GLASS.

NOTE: DRAWING IS DIMENSIONED IN BOTH ENGLISH AND METRIC. REF. AS FOLLOWS 1" (25.4) ALL METRIC SIZES ARE MILLIMETERS.

* FOR MAXIMUM CURRENT DRAW PER OPERATOR, SEE PRODUCT SPECIFICATION, INSTALLATION INSTRUCTIONS, OR THE UL LABEL ON THE EQUIPMENT.

REFER TO RELEVANT LOCAL, STATE, NATIONAL OR AHD BUILDING CODE FOR MIN DOOR HEIGHT & MIN/MAX WIDTH ALLOWABLE FOR EGRESS REQUIREMENT IN CONJUNCTION WITH TABLE BELOW.

SL500 DHC	DOOR OPENING A	OVERALL FRAME WIDTH B	MASONRY OPENING WIDTH C	ACTIVE & SIDELITE LEAF WIDTH D
DCS-7	32 1/2" (825.5)	84" (2133.6)	84 1/2" (2146.3)	42 3/8" (1076.3)
DCS-8	38 1/2" (977.9)	96" (2438.4)	96 1/2" (2451.1)	48 3/8" (1228.7)
DCS-8-6	41 1/2" (1054.1)	102" (2590.8)	102 1/2" (2603.5)	51 3/8" (1304.9)
KEY	(B/2)-9 1/2" (C-1/2") (B+1/2") (B/2)+(9.5)	(C-1/2") (C-12.7)	(B+1/2") (B+12.7)	(B/2)+3/8" (B/2)+(9.5)

STANDARD GLASS SIZES ARE AS FOLLOWS:

SL500 DHC	1/4" (6.4)	5/8" (15.9) AND 1" (25.4)
DCS-7	W 33 7/8" (860.4) H 71 11/16" (1820.9)	W 33 5/8" (854.1) H 71 3/16" (1808.2)
DCS-8	W 39 7/8" (1012.8) H 71 11/16" (1820.9)	W 39 5/8" (1006.5) H 71 3/16" (1808.2)
DCS-8-6	W 42 7/8" (1089) H 71 11/16" (1820.9)	W 42 5/8" (1082.6) H 71 3/16" (1808.2)
KEY	WIDTH (B/2)-8 1/8" (B/2)-(206.4) HEIGHT (DFH)-18 1/16" (DFH)-(458.8)	WIDTH (B/2)-8 3/8" (B/2)-(212.7) HEIGHT (DFH)-18 9/16" (DFH)-(471.5)

COVER SIDE

EXTERIOR
L.H.SLIDE
R.H.SLIDE
PLAN VIEW EMERGENCY BREAKAWAY

DWG NO: 1009866
DRN BY: CLW DATE: 11/9/12 CHK BY: SS DATE: 11/14/12 REV: 5.0 DATE: 1/21/15

ASSA ABLOY