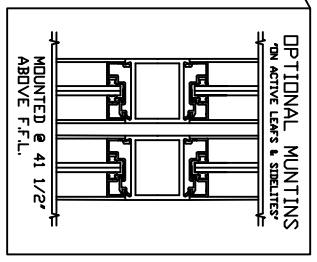
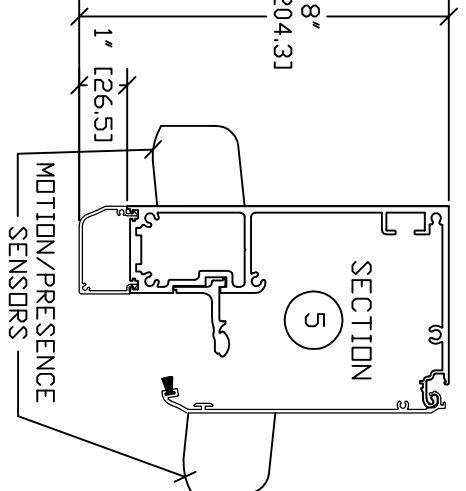
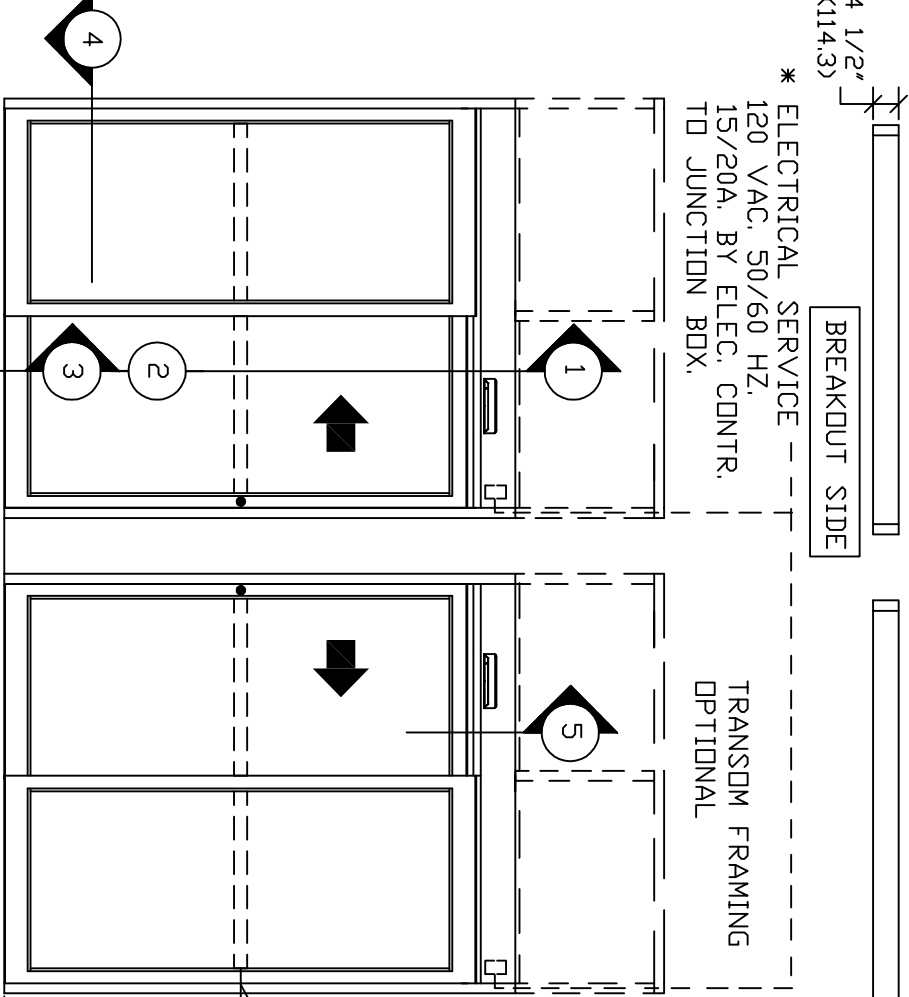


COVER SIDE

BREAKOUT SIDE

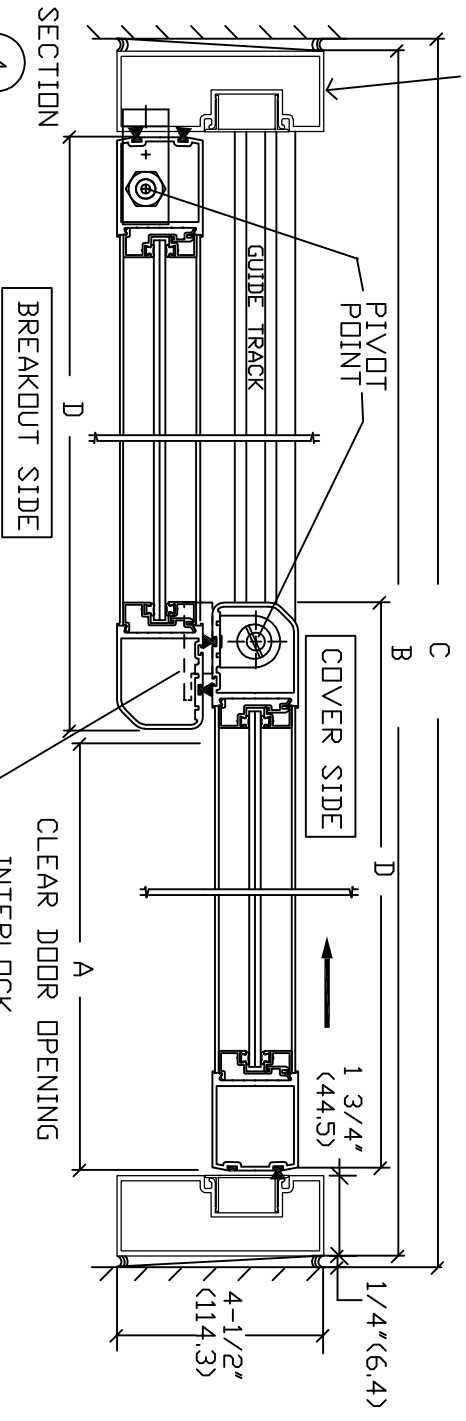
* ELECTRICAL SERVICE
 120 VAC, 50/60 HZ,
 15/20A, BY ELEC. CONTR.
 TO JUNCTION BOX.

TRANSOM FRAMING
 OPTIONAL

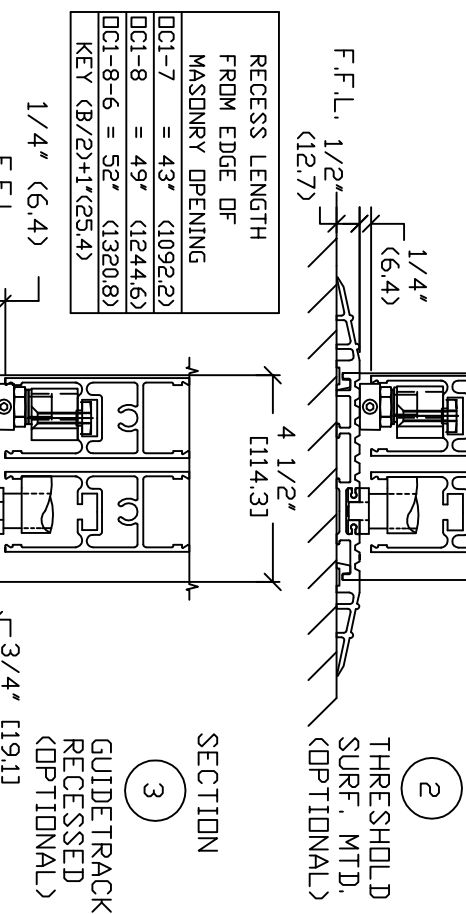
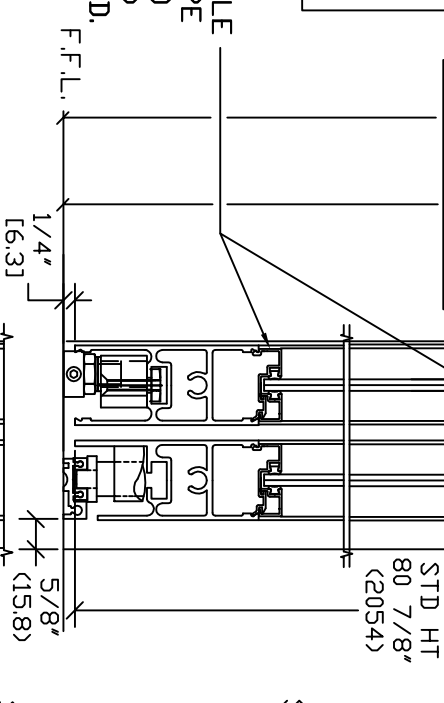
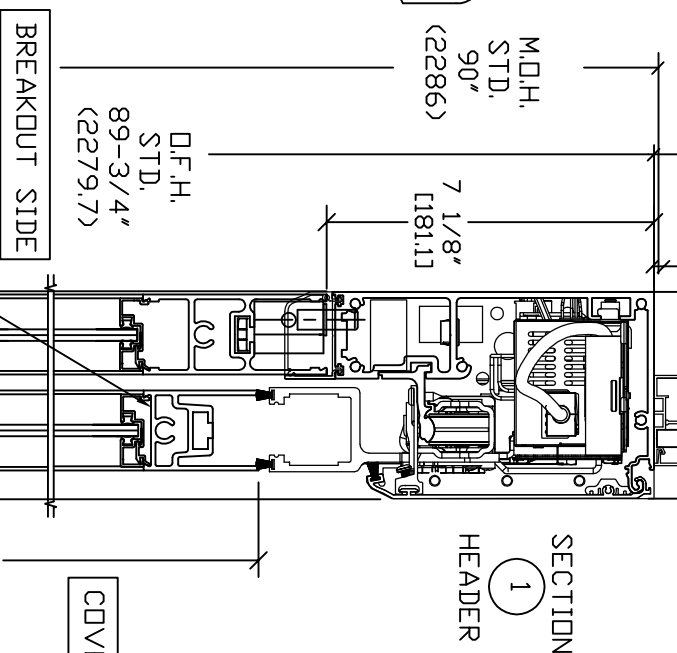
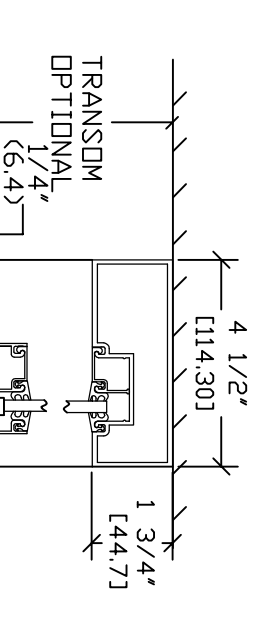


NON REMOVABLE
 SECURITY TYPE
 GLAZING BEAD
 SYSTEM (TYP.)
 1/4" STANDARD.
 (6.4)

Optional Factory Prep
 Switch Location @
 74-1/2"H



LEFT HAND SLIDE (R.H.S. OPPOSITE)



DCI-7	= 43"	(1092.2)
DCI-8	= 49"	(1244.6)
DCI-8-6	= 52"	(1320.8)
KEY	(B/2)+1"	(25.4)

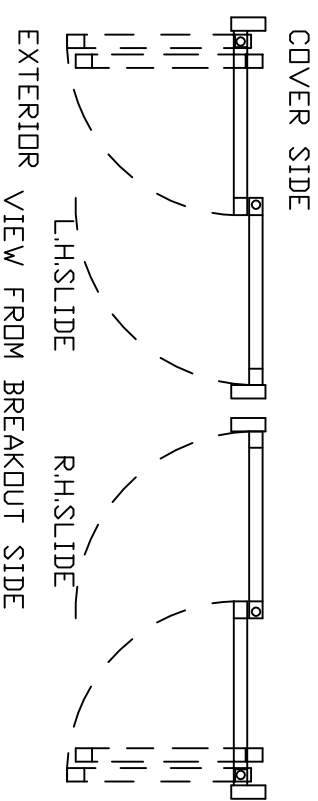
NOTE: THE STANDARD PACKAGE CONSISTS OF:
 THE AUTOMATIC OPERATOR & WEATHERSTRIP, FRAMES, DOORS &
 SIDELITES WITH VERTICAL WEATHERSTRIP, EMERGENCY BREAKAWAY
 & 1-POINT LOCK. OPTIONAL POSITION SWITCHES (DIGITAL (3 DR 5) OR
 KEY (5X)), OFF-EXIT ONLY-AUTO-REDUCED OPENING-HOLD OPEN, OR OFF,
 AUTO, HOLD OPEN, MOTION/PRESENCE SENSORS, OPTIONAL 6" JAMBS,
 STANDARD FINISH: CLEAR-AA-M12C22A41, CLASS 1, .018 MM,
 DARK BRONZE-AA-M12C22A44, CLASS 1, .018 MM
 SPECIAL FINISHES ARE AVAILABLE.

THIS PACKAGE WILL ACCEPT UP TO 1"(25.4) INSULATED GLASS
 IN THE SIDELITES AND ACTIVE LEAVES. PLEASE INDICATE IF SO
 DESIRED.
 ENHANCE YOUR BESAM SL500 PACKAGE WITH ECDDOOR OPTIONS TO
 IMPROVE AIR INFILTRATION PERFORMANCE. CHOOSE FROM: ECDDOOR
 SEALS, MAGNETIC CATCHES, HYDRAULIC CLOSERS, INSULATED GLASS.
 NOTE DRAWING IS DIMENSIONED IN BOTH ENGLISH AND METRIC
 REF. AS FOLLOWS 1" (25.4) ALL METRIC SIZES ARE MILLIMETERS.
 * FOR MAXIMUM CURRENT DRAW PER OPERATOR, SEE PRODUCT SPECIFICATION,
 INSTALLATION INSTRUCTIONS, OR THE UL LABEL ON THE EQUIPMENT.
 REFER TO RELEVANT (LOCAL, STATE, NATIONAL OR AHD) BUILDING
 CODE FOR MIN DOOR HEIGHT & MIN/MAX WIDTH ALLOWABLE
 FOR EGRESS REQUIREMENT IN CONJUNCTION WITH TABLE BELOW.

SL500 DHC	DOOR OPENING A	OVERALL FRAME WIDTH B	MASONRY OPENING WIDTH C	ACTIVE & SIDELITE LEAF WIDTH D
DCI-7	35 1/4" (895.4)	84" (2133.6)	84 1/2" (2146.3)	41 1/2" (1054.1)
DCI-8	41 1/4" (1047.8)	96" (2438.4)	96 1/2" (2451.1)	47 1/2" (1206.5)
DCI-8-6	44 1/4" (1124)	102" (2590.8)	102 1/2" (2603.5)	50 1/2" (1282.7)
DCI-9	47 1/4" (1200.2)	108" (2743.2)	108 1/2" (2755.9)	53 1/2" (1358.9)
KEY	(B/2)-6 3/4" (B/2)-(171.5)	(C-1/2") (C-12.7)	(B+1/2") (B+12.7)	(B/2)-1 1/2" (B/2)-(12.7)

STANDARD GLASS SIZES ARE AS FOLLOWS:

SL500 DHC	1/4"(6.4)	5/8"(15.9) AND 1"(25.4)
DCI-7	W 36 5/8"(930.3) H 73 7/8"(1876.4)	36 3/8"(923.9) 73 3/8"(1863.7)
DCI-8	W 42 5/8"(1082.7) H 73 7/8"(1876.4)	42 3/8"(1076.3) 73 3/8"(1863.7)
DCI-8-6	W 45 5/8"(1158.9) H 73 7/8"(1876.4)	45 3/8"(1152.5) 73 3/8"(1863.7)
DCI-9	W 48 5/8"(1235.1) H 73 7/8"(1876.4)	48 3/8"(1228.7) 73 3/8"(1863.7)
KEY	WIDTH (B/2)-5 3/8" HEIGHT (DFH)-15 7/8" (DFH)-(403.2)	(B/2)-5 5/8" (B/2)-(142.9) (DFH)-16 3/8" (DFH)-(415.9)



DWG. NO.	1009862
DRN. BY	CLW
DATE	11/9/12
CHK. BY	SS
DATE	11/14/12
REV.	5.0
DATE	1/21/15