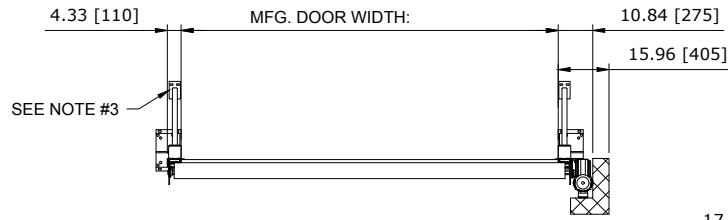


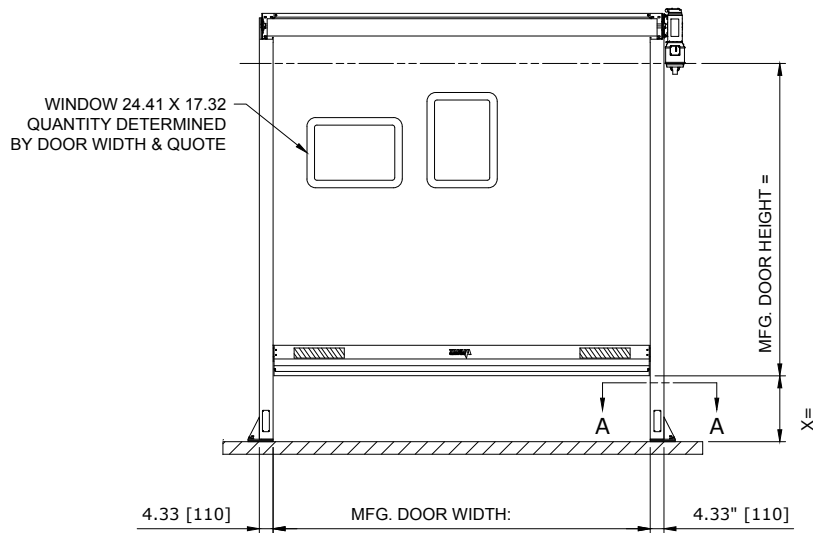
**NOTE:**

1. FOR DIFFERENT DRIVE UNIT ORIENTATIONS SEE. DETAIL "A"
2.  $DH < 7.54'$  [2300] AVAILABLE WITH COVERS ONLY.
3. STIFFENER COLUMN ONLY WHEN  $3050 < (DH+X) <= 3060$ .

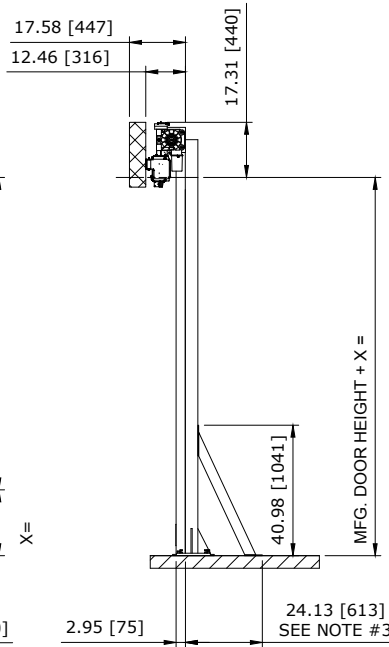
 RECOMMENDED FOR MAINTENANCE.



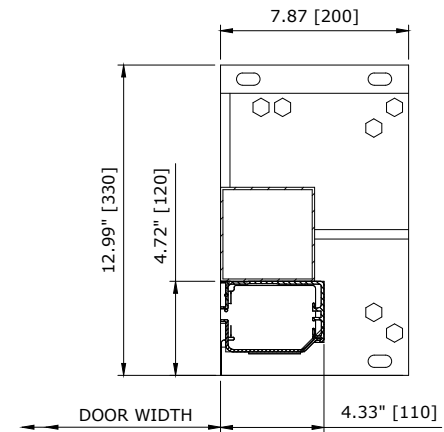
**TOP VIEW**



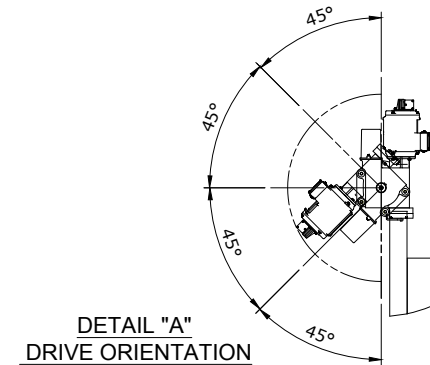
**FRONT VIEW**



**RIGHT VIEW**



**SECTION A-A (NTS) FRAMING STAND**



**DETAIL "A"  
DRIVE ORIENTATION**

RP300-RH DOOR - NO COVER DIRECT DRIVE WITH STAND  
CONTROL PANEL:

CUSTOMER:		SCALE = NOT TO SCALE	<b>ASSA ABLOY</b>	
LOCATION:		APPROVED BY:	APPROVED WITH CHANGES BY:	
SALESMAN / DEALER:		DATE:	DATE:	
		DESCRIPTION: RP300 APPROVAL DRAWING		
		DRAWING NO:	DESIGNER:	DATE:
		8300T0040	J. Reitz	1/3/2016
Rev	Change	Date	Name	

**QUOTE:**