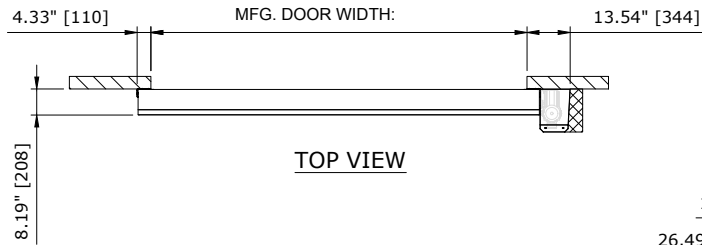


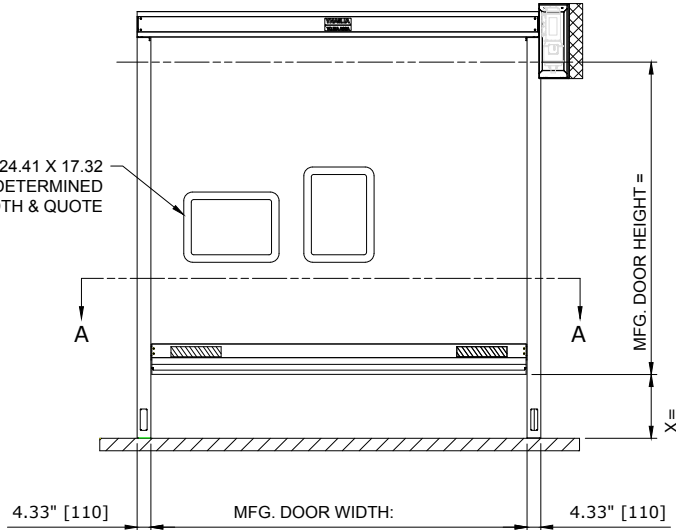
RECOMMENDED FOR MAINTENANCE.

NOTE:  
 1. FOR DIFFERENT DRIVE UNIT ORIENTATIONS SEE. DETAIL "A"  
 2. DH<7.54' [2300] AVAILABLE WITH COVERS ONLY.

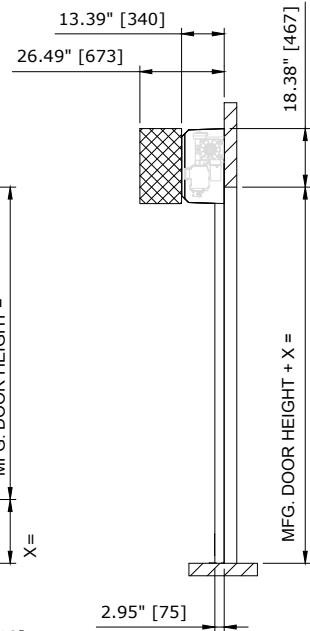


TOP VIEW

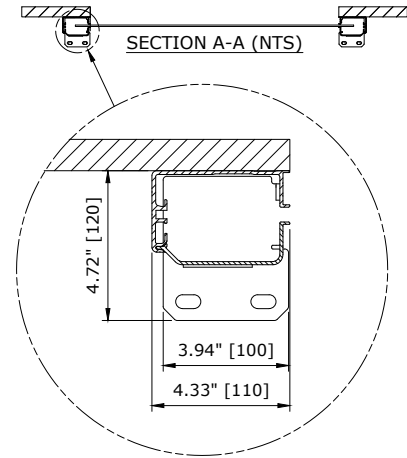
WINDOW 24.41 X 17.32  
 QUANTITY DETERMINED  
 BY DOOR WIDTH & QUOTE



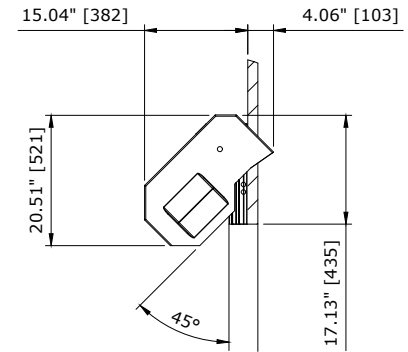
FRONT VIEW



RIGHT VIEW



SECTION A-A (NTS)



DETAIL "A"  
 DRIVE ORIENTATION

RP300-RH DOOR - WITH COVER  
 CONTROL PANEL:

CUSTOMER:		SCALE = NOT TO SCALE	<b>ASSA ABLOY</b>	
LOCATION:		APPROVED BY:	APPROVED WITH CHANGES BY:	
SALESMAN / DEALER:		DATE:	DATE:	
		DESCRIPTION: RP300 APPROVAL DRAWING		
		DRAWING NO:	DESIGNER:	DATE:
Rev	Change	Date	Name	
			8300T0034	J. Reitz 1/3/2016

**QUOTE:**