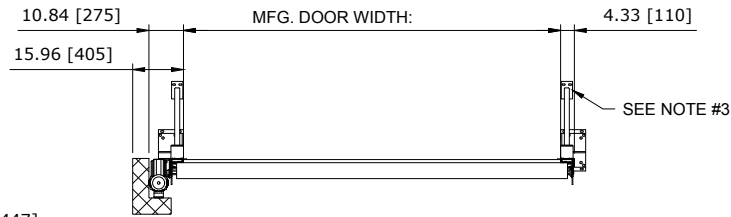


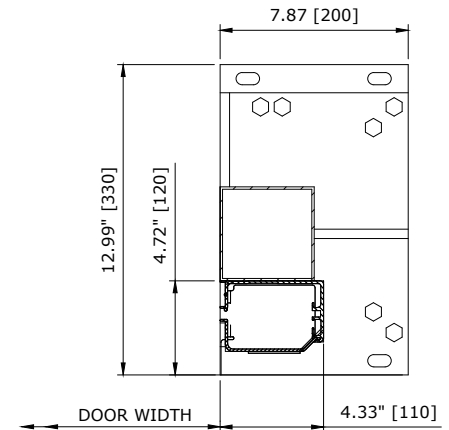
NOTE:

1. FOR DIFFERENT DRIVE UNIT ORIENTATIONS SEE. DETAIL "A"
2. DH<7.54' [2300] AVAILABLE WITH COVERS ONLY.
3. STIFFENER COLUMN ONLY WHEN 3050<(DH+X)<=3060.

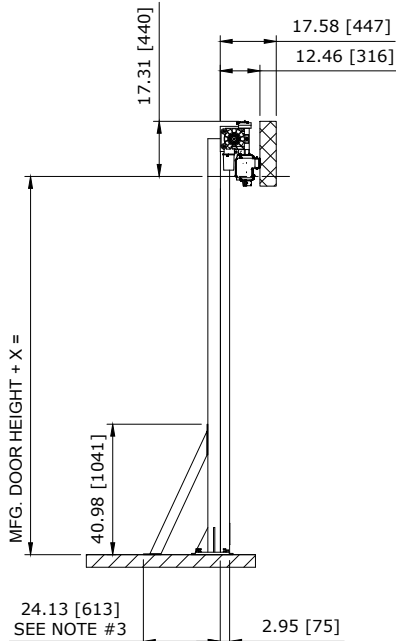
 RECOMMENDED FOR MAINTENANCE.



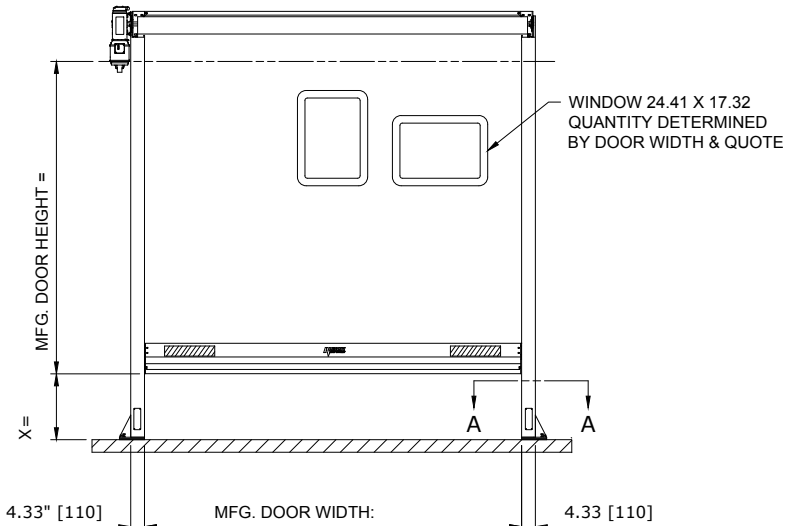
TOP VIEW



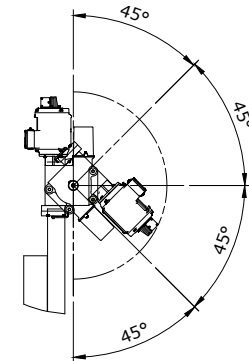
SECTION A-A (NTS) FRAMING STAND



LEFT VIEW



FRONT VIEW



**DETAIL "A"
DRIVE ORIENTATION**

**RP300-LH DOOR - NO COVER DIRECT DRIVE WITH STAND
CONTROL PANEL:**

CUSTOMER:		SCALE = NOT TO SCALE	ASSA ABLOY	
LOCATION:		APPROVED BY:	APPROVED WITH CHANGES BY:	
SALESMAN / DEALER:		DATE:	DATE:	
		DESCRIPTION: RP300 APPROVAL DRAWING		
		DRAWING NO:	DESIGNER:	DATE:
Rev	Change	Date	Name	
			8300T0039	J. Fisher 12/23/2016

QUOTE: