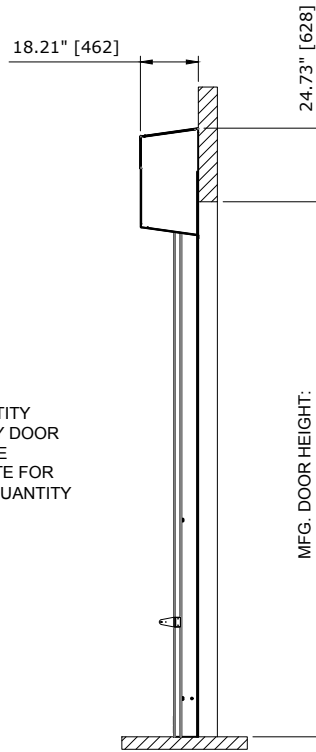
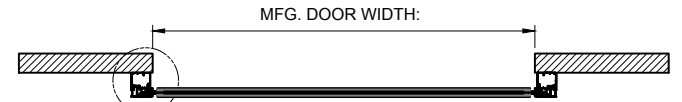


TOP VIEW

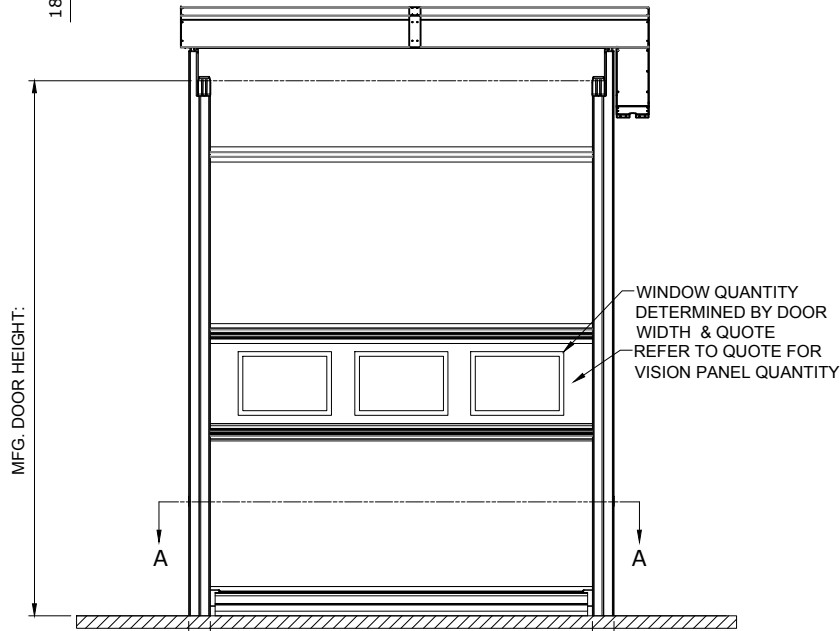
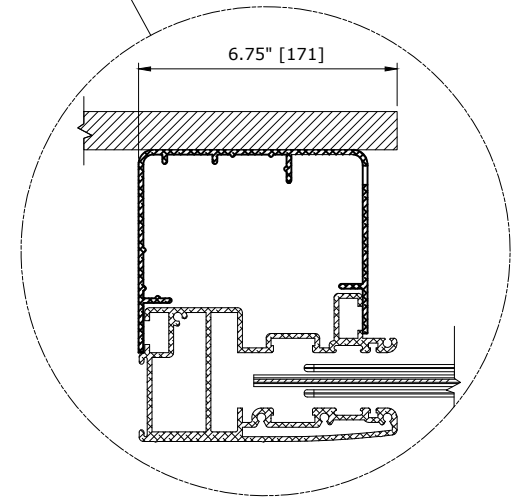
 RECOMMENDED FOR MAINTENANCE.



RIGHT VIEW



SECTION A-A (NTS)



FRONT VIEW

WINDOW QUANTITY DETERMINED BY DOOR WIDTH & QUOTE REFER TO QUOTE FOR VISION PANEL QUANTITY

ULTRAFAST RH DOOR-WITH COVERS

CONTROL PANEL:

CUSTOMER:		SCALE = NOT TO SCALE	ASSA ABLOY	
LOCATION:		APPROVED BY:	APPROVED WITH CHANGES BY:	
SALESMAN / DEALER:		DATE:	DATE:	
		DESCRIPTION: ULTRAFAST APPROVAL DRAWING		
		DRAWING NO:	DESIGNER:	DATE:
Rev	Change	Date	Name	
				8300T0026 J. Reitz 4/2/2017

QUOTE: