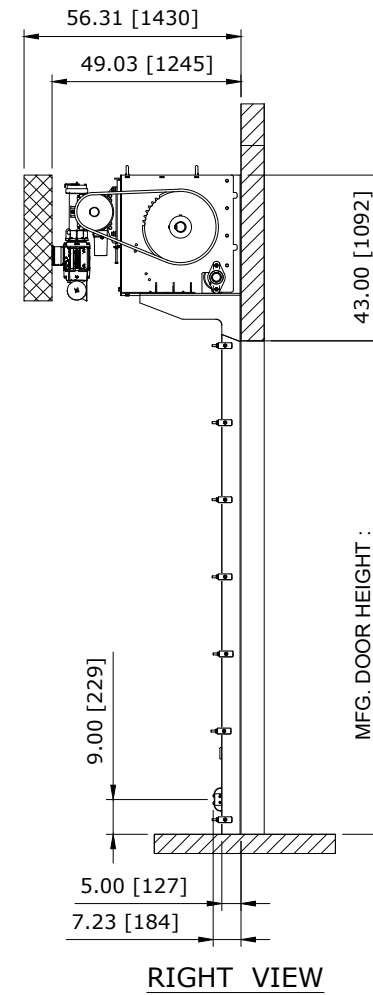
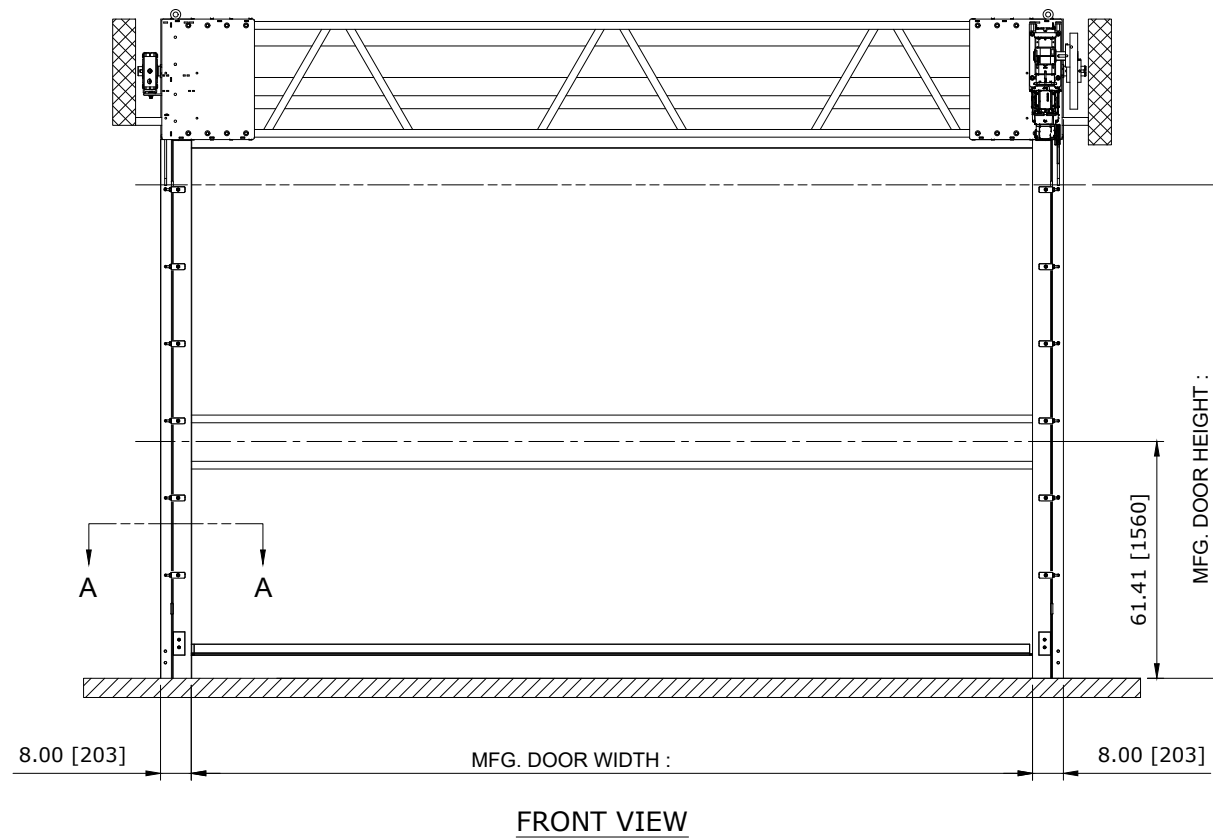
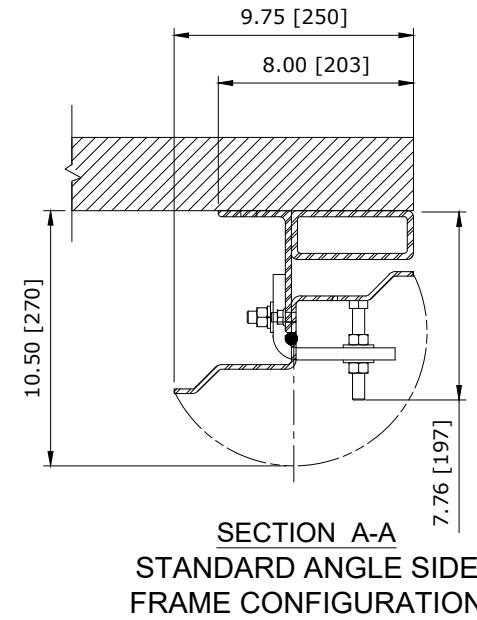
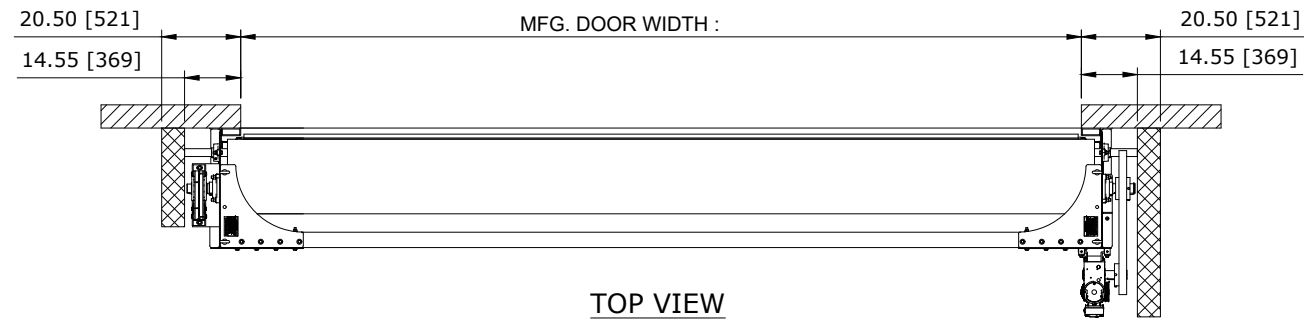


RECOMMENDED FOR MAINTENANCE.



MECHANICAL OPTIONS		
DRIVE SIDE	RIGHT	LEFT
PANEL MATERIAL	SBR BLACK EPDM GREY	MSHA BLACK EPDM BLUE
WINDOWS	WINDOW (S) QTY. _____	
SAFETY STRIPS	NONE YELLOW STRIPES WHITE X (S)	
HOODS	NONE	LOW DOOR HEIGHT FULL ROLL AND MOTOR
ELECTRICAL OPTIONS		
SUPPLY VOLTAGE (60Hz 3 PHASE) CONTROL BOX		
208V	230V	460V 575V
CONTROL BOX		
ACS100 - STEEL	ACS100 - STAINLESS STEEL	
SAFETY LIGHTS		
PHOTO EYES	LIGHT CURTAINS	
ACTIVATOR		
MOTION DETECTOR	PULL CORD	
PUSH BUTTON	FLOOR LOOP	
INDICATORS		
HORN	RED	
AMBER STROBE	GREEN	
TRAFFIC LIGHT	LED SET	

43" HEADER SIZE UNBALANCED CHAIN DRIVE NO COVER RH
CONTROL PANEL:
CONTROLS

CUSTOMER:	APPROVED BY:	ASSA ABLOY				
LOCATION:	APPROVED WITH CHANGES BY:					
SALESMAN / DEALER:	DATE:	SCALE = NTS				
	DESCRIPTION:					
	VR2000M APPROVAL DRAWING					
Rev	Change	Date	NAME	DRAWING NO: 8300T0130	DESIGNER: JT FISHER	DATE: 01/10/2019