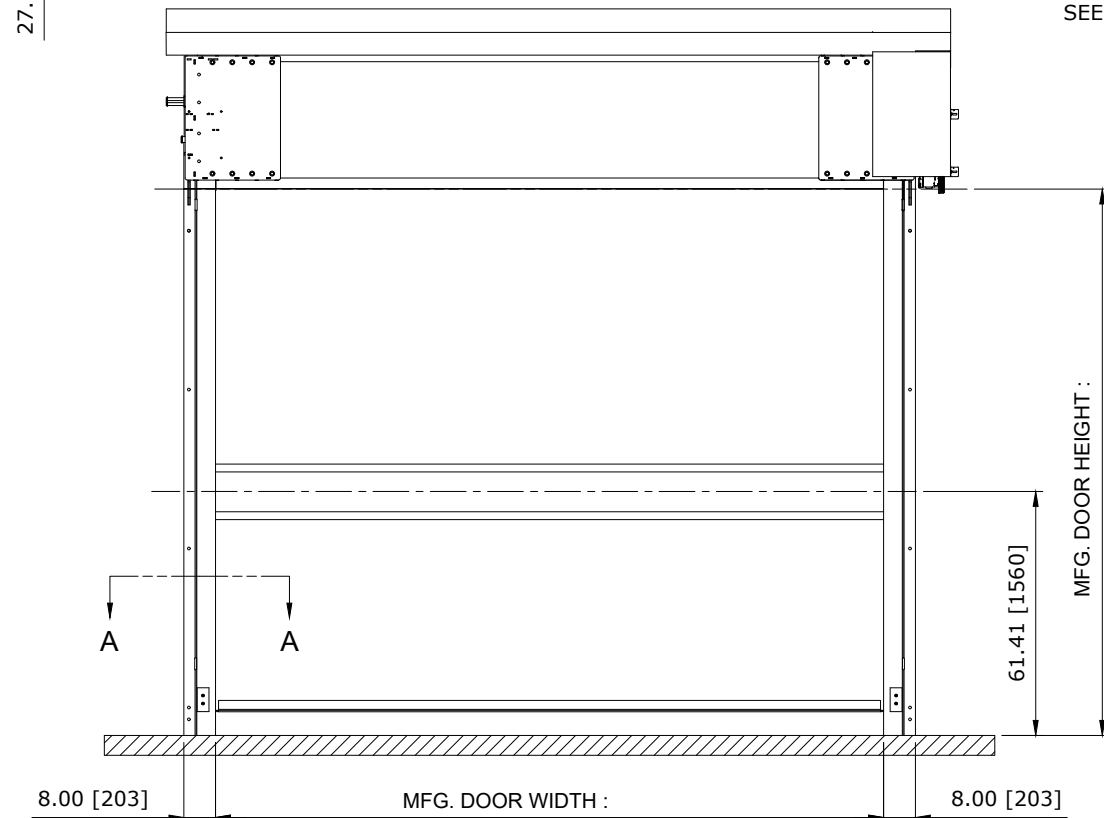
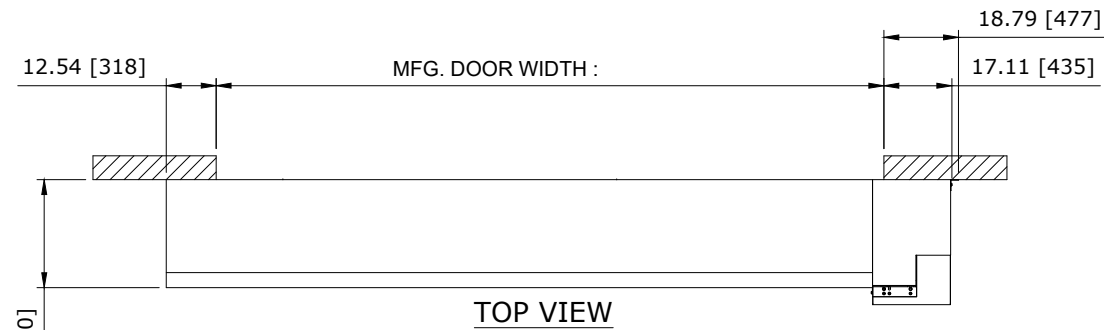
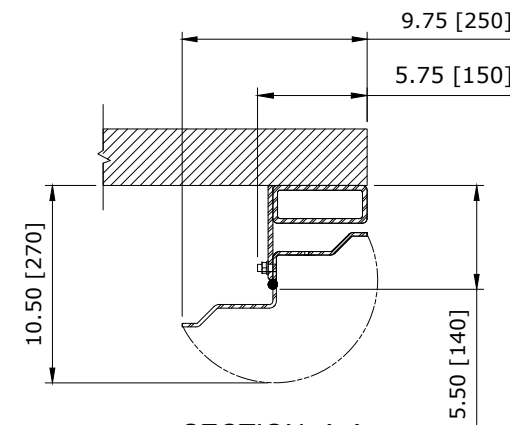


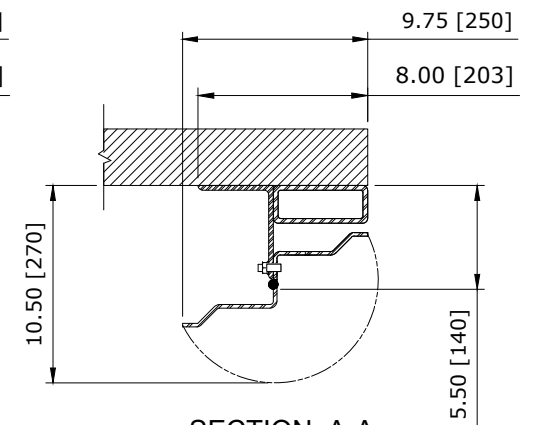
RECOMMENDED FOR MAINTENANCE.



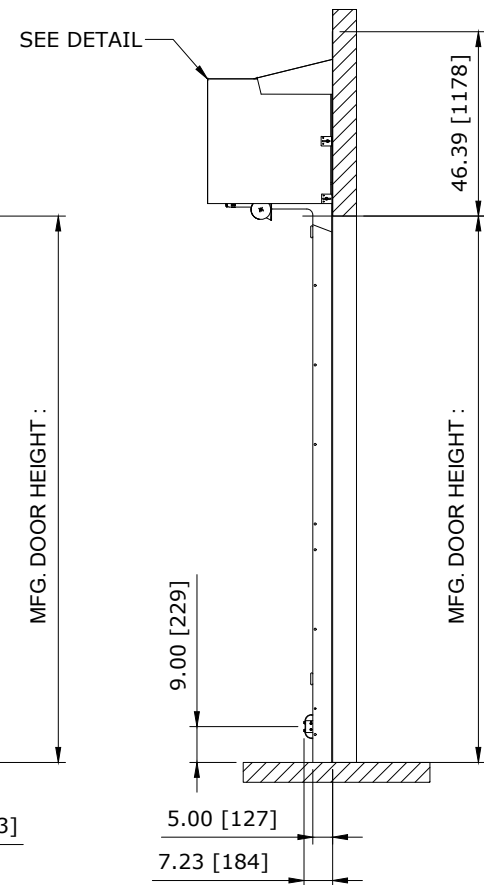
FRONT VIEW



SECTION A-A  
OPTIONAL FLATBAR SIDE  
FRAME CONFIGURATION  
(WELD IN INSTALLATION ONLY)



SECTION A-A  
STANDARD ANGLE SIDE  
FRAME CONFIGURATION



RIGHT VIEW

MECHANICAL OPTIONS

DRIVE SIDE	RIGHT	LEFT
PANEL MATERIAL	SBR BLACK EPDM GREY	MSHA BLACK EPDM BLUE
PRESSURE OPTIONS	NONE GUSSETS	FRONT WINDBAR REAR WINDBAR
WINDOWS	WINDOW (S) QTY. ____	
SAFETY STRIPS	NONE YELLOW STRIPES	
HOODS	NONE	LOW DOOR HEIGHT FULL ROLL AND MOTOR
SIDE FRAME	FLAT BAR	ANGLE

ELECTRICAL OPTIONS

SUPPLY VOLTAGE (60Hz 3 PHASE) CONTROL BOX			
208V	230V	460V	575V
CONTROL BOX			
ACS100 - STEEL		ACS100 - STAINLESS STEEL	
SAFETY LIGHTS			
PHOTO EYES		LIGHT CURTAINS	
ACTIVATOR			
MOTION DETECTOR		PULL CORD	
PUSH BUTTON		FLOOR LOOP	
INDICATORS			
HORN		RED	
AMBER STROBE <input type="checkbox"/>		GREEN	
TRAFFIC LIGHT		LED SET	

33.5" HEADER SIZE UNBALANCED DIRECT DRIVE WITH COVER RH

CONTROL PANEL:  
CONTROLS

CUSTOMER:		APPROVED BY:	
LOCATION:		APPROVED WITH CHANGES BY: <b>ASSA ABLOY</b>	
SALESMAN / DEALER:		DATE:	SCALE = NTS
DESCRIPTION: VR2000M APPROVAL DRAWING			
DRAWING NO: 8300T0120		DESIGNER: JT FISHER	DATE: 01/10/2019
Rev	Change	Date	Name