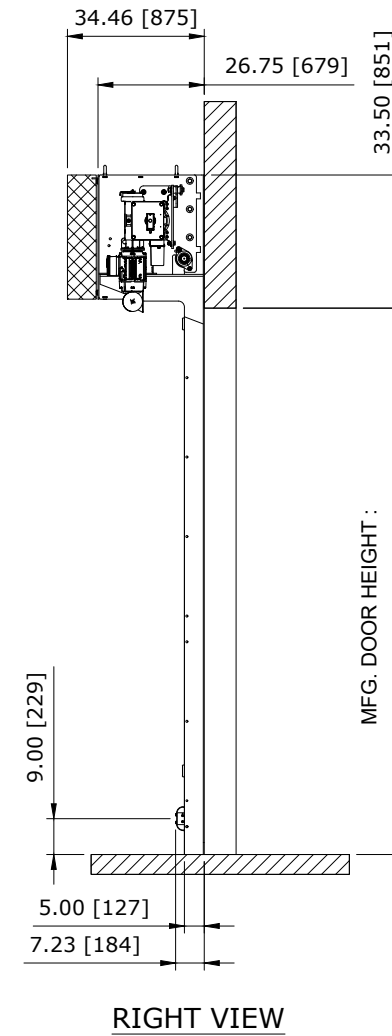
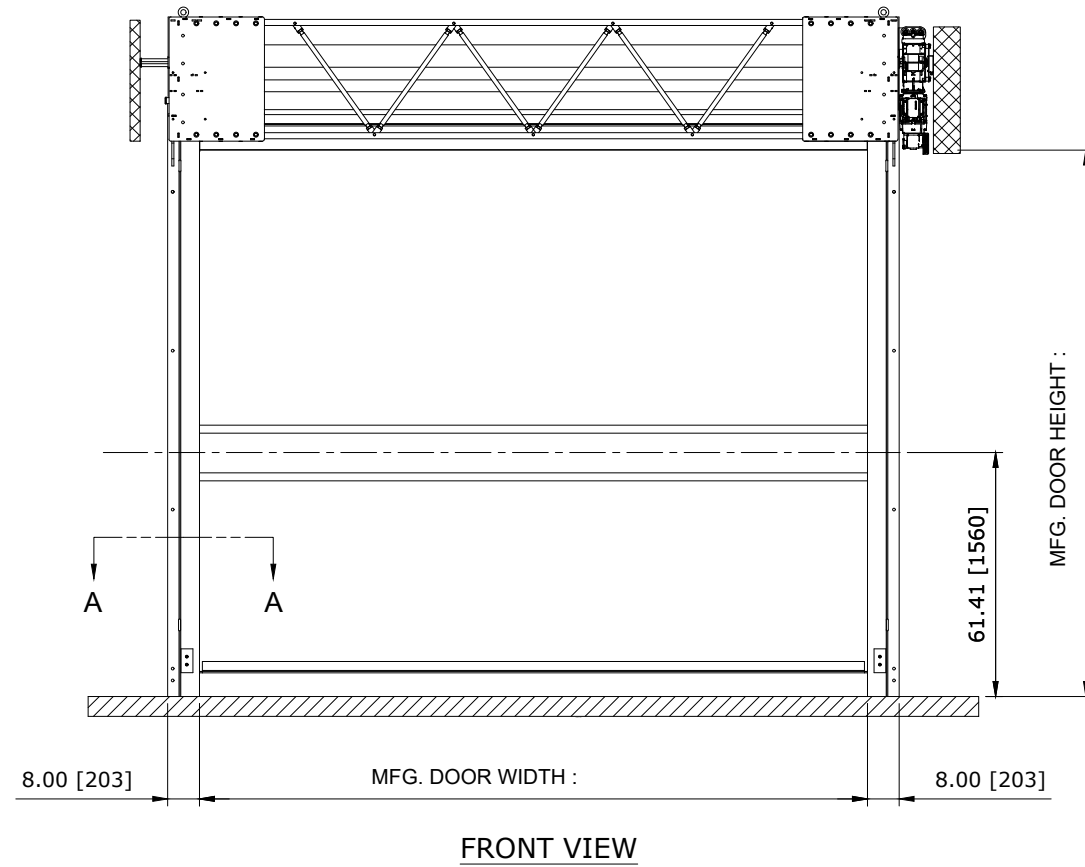
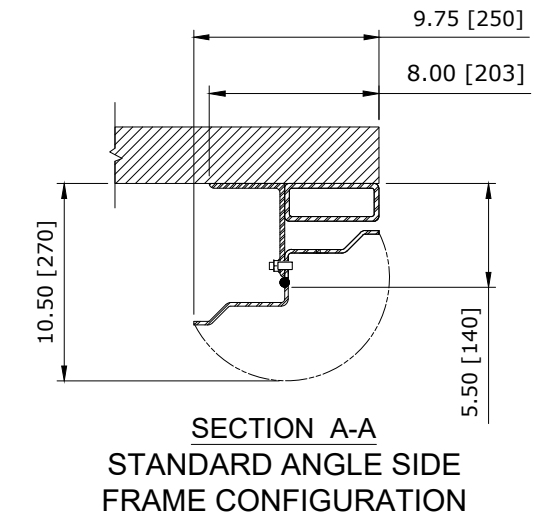
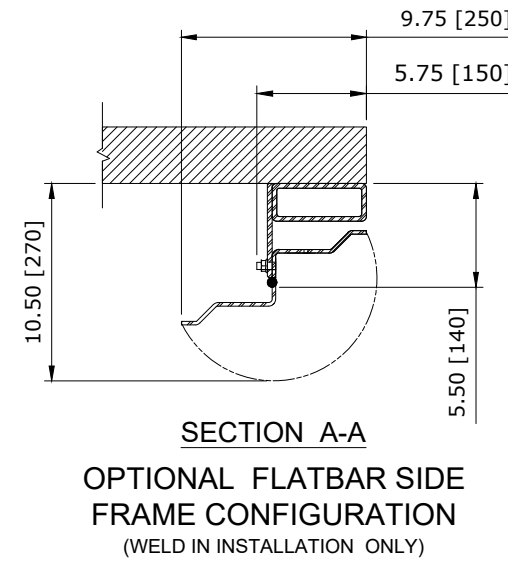
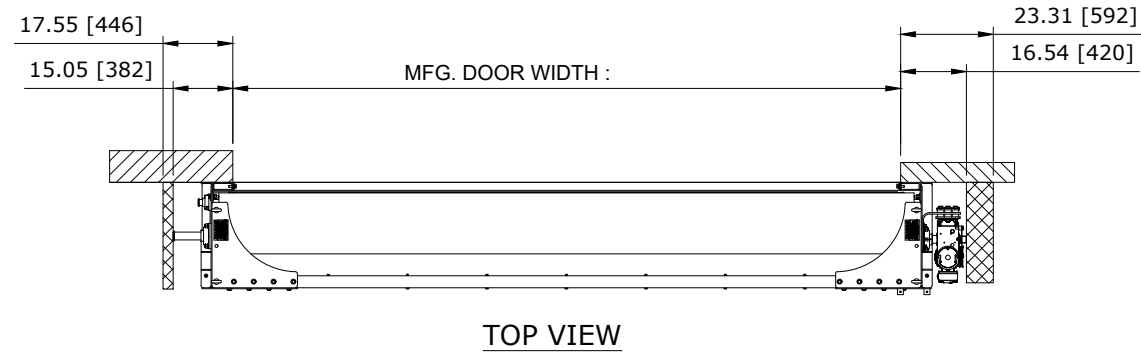


RECOMMENDED FOR MAINTENANCE.



33.5" HEADER SIZE UNBALANCED DIRECT DRIVE NO COVER RH
CONTROL PANEL:
CONTROLS

MECHANICAL OPTIONS			
DRIVE SIDE	RIGHT	LEFT	
PANEL MATERIAL	SBR BLACK	MSHA BLACK	
	EPDM GREY	EPDM BLUE	
PRESSURE OPTIONS	NONE	FRONT WINDBAR	
	GUSSETS	REAR WINDBAR	
WINDOWS	WINDOW (S) QTY. _____		
SAFETY STRIPS	NONE YELLOW STRIPES		
HOODS	NONE	LOW DOOR HEIGHT	
		FULL ROLL AND MOTOR	
SIDE FRAME	FLAT BAR	ANGLE	
ELECTRICAL OPTIONS			
SUPPLY VOLTAGE (60Hz 3 PHASE) CONTROL BOX			
208V	230V	460V	575V
CONTROL BOX			
ACS100 - STEEL		ACS100 - STAINLESS STEEL	
SAFETY LIGHTS			
PHOTO EYES		LIGHT CURTAINS	
ACTIVATOR			
MOTION DETECTOR		PULL CORD	
PUSH BUTTON		FLOOR LOOP	
INDICATORS			
HORN		RED	
AMBER STROBE		GREEN	
TRAFFIC LIGHT		LED SET	

CUSTOMER:	APPROVED BY:	ASSA ABLOY	
LOCATION:	APPROVED WITH CHANGES BY:		
SALESMAN / DEALER:	DATE: _____	SCALE = NTS	
	DESCRIPTION:		
	VR2000M APPROVAL DRAWING		
	DRAWING NO: 8300T0118	DESIGNER: JT FISHER	
		DATE: 01/10/2019	
Rev	Change	Date	Name