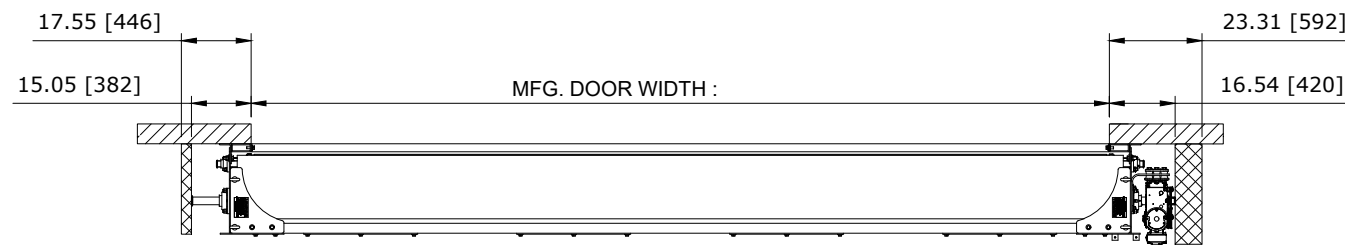
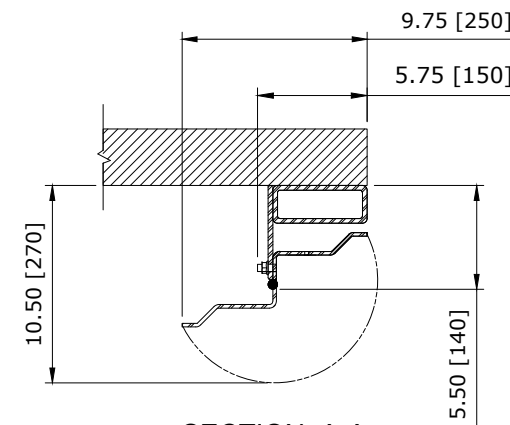


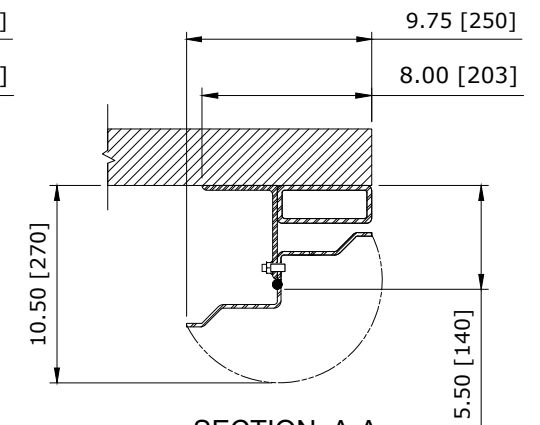
RECOMMENDED FOR MAINTENANCE.
REQUIRED FOR COVERS.



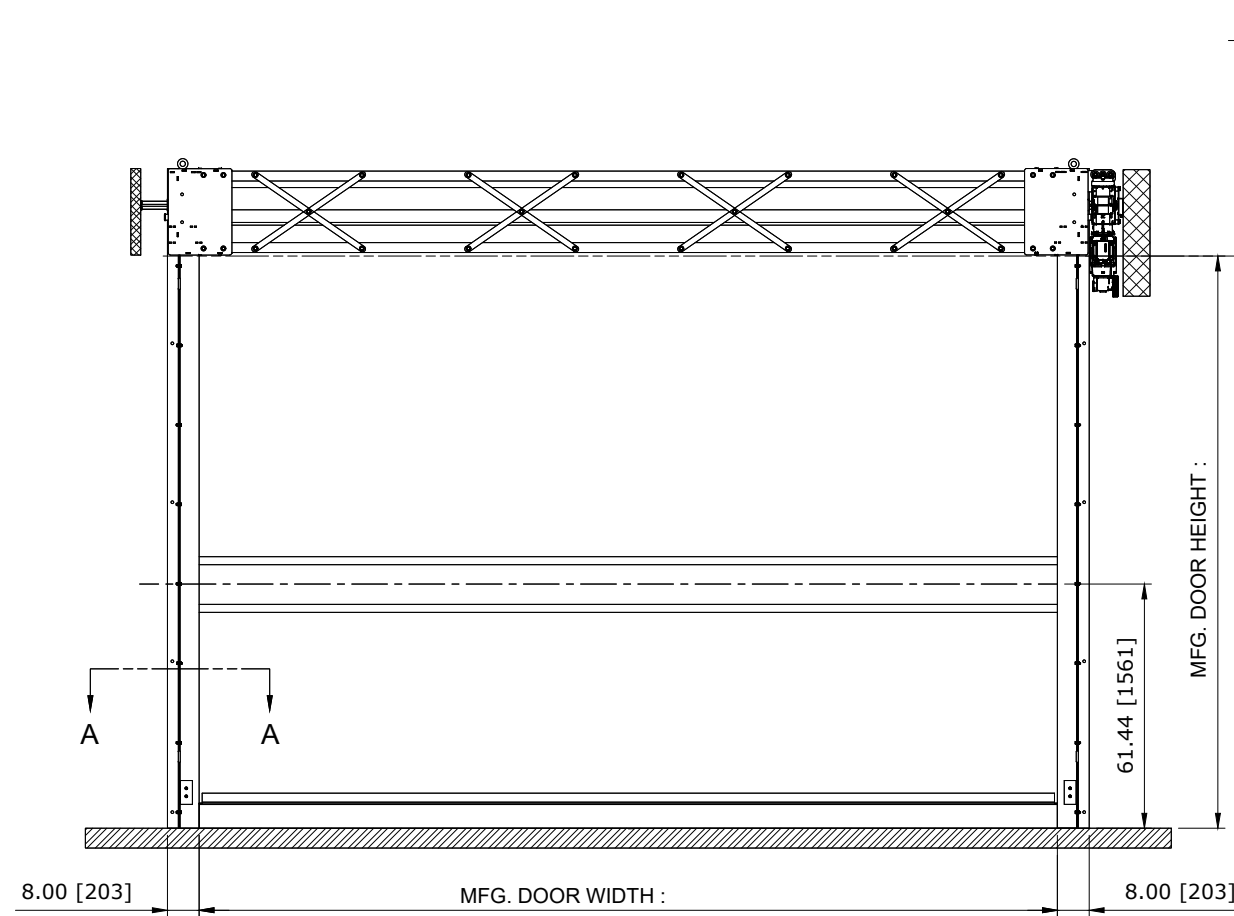
TOP VIEW



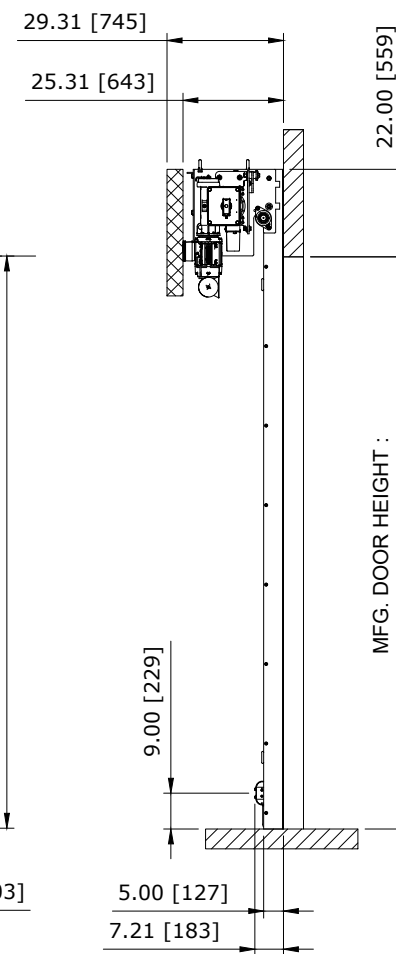
SECTION A-A
OPTIONAL FLATBAR SIDE
FRAME CONFIGURATION
(WELD IN INSTALLATION ONLY)



SECTION A-A
STANDARD ANGLE SIDE
FRAME CONFIGURATION



FRONT VIEW



RIGHT VIEW

MECHANICAL OPTIONS		
DRIVE SIDE	RIGHT	LEFT
PANEL MATERIAL	SBR BLACK EPDM GREY	MSHA BLACK EPDM BLUE
PRESSURE OPTIONS	NONE GUSSETS	FRONT WINDBAR REAR WINDBAR
WINDOWS	WINDOW (S) QTY. ____	
SAFETY STRIPS	NONE YELLOW STRIPES	
HOODS	NONE	LOW DOOR HEIGHT FULL ROLL AND MOTOR
SIDE FRAME	FLAT BAR	ANGLE
ELECTRICAL OPTIONS		
SUPPLY VOLTAGE (60Hz 3 PHASE) CONTROL BOX		
208V	230V	460V 575V
CONTROL BOX		
ACS100 - STEEL	ACS100 - STAINLESS STEEL	
SAFETY LIGHTS		
PHOTO EYES	LIGHT CURTAINS	
ACTIVATOR		
MOTION DETECTOR	PULL CORD	
PUSH BUTTON	FLOOR LOOP	
INDICATORS		
HORN	RED	
AMBER STROBE	GREEN	
TRAFFIC LIGHT	LED SET	

22" LOW HEADROOM UNBALANCED RH
CONTROL PANEL:
CONTROLS

CUSTOMER:	APPROVED BY:	ASSA ABLOY
LOCATION:	APPROVED WITH CHANGES BY:	
SALESMAN / DEALER:	DATE:	SCALE = NTS
DESCRIPTION:		
VR2000M APPROVAL DRAWING		
DRAWING NO:	DESIGNER:	DATE:
8300T0116	JT FISHER	01/10/2019