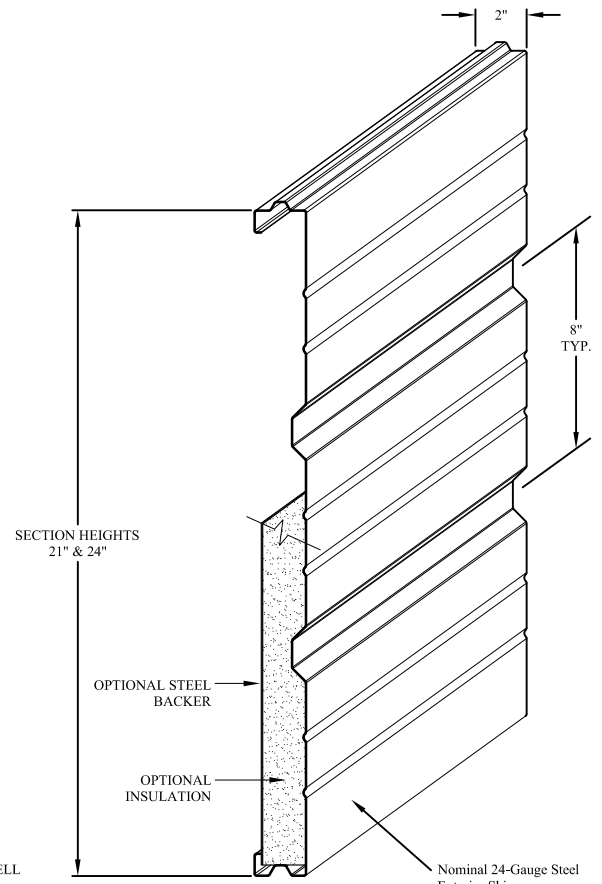
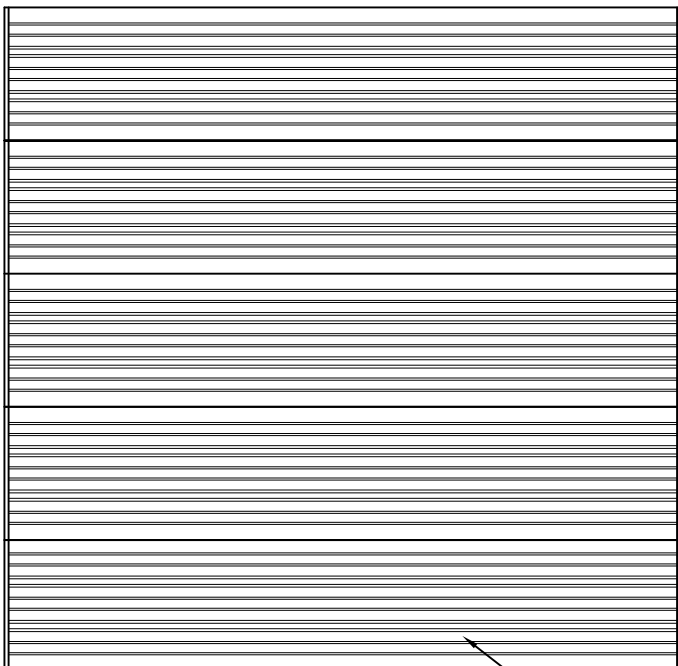


INTERIOR ELEVATION

INSULATION TYPE: HAIRCELL  
CFC-FREE  
EXPANDED POLYSTYRENE  
R= 7.0  
(ALSO AVAILABLE WITH  
25ga STEEL BACKER)

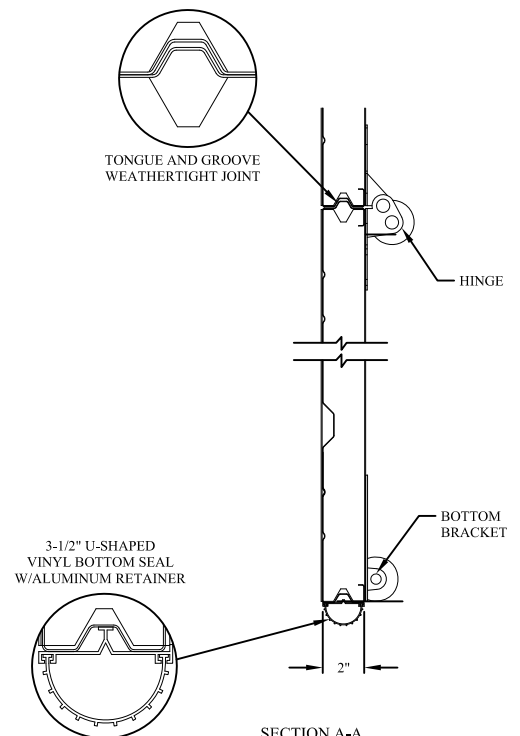


ISOMETRIC PROFILE



EXTERIOR ELEVATION

Nominal 24 Gauge Steel  
Exterior Skin



SECTION A-A