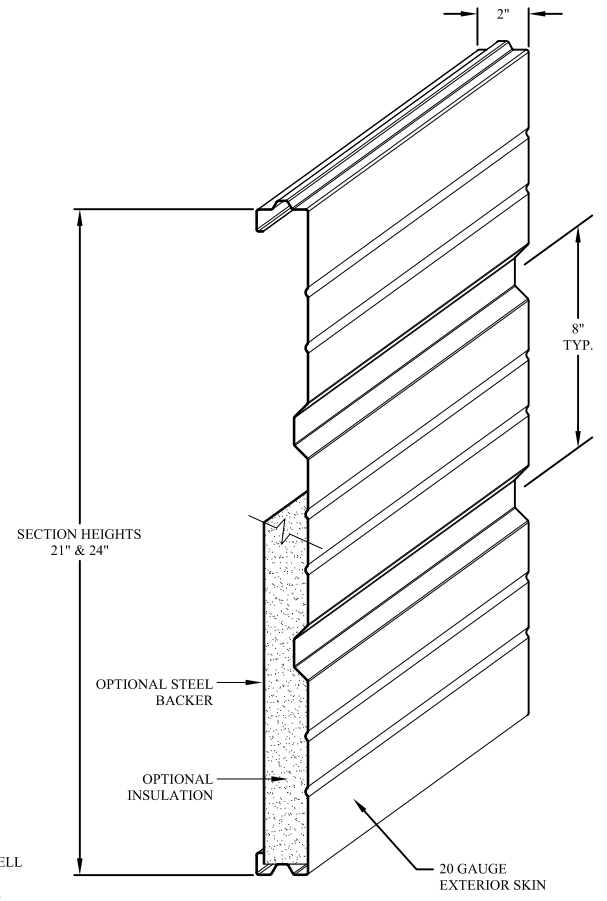
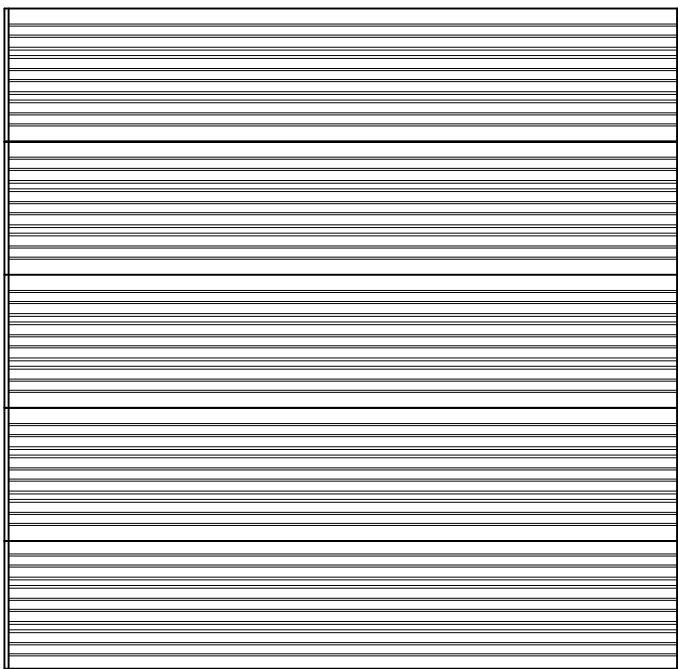


INTERIOR ELEVATION

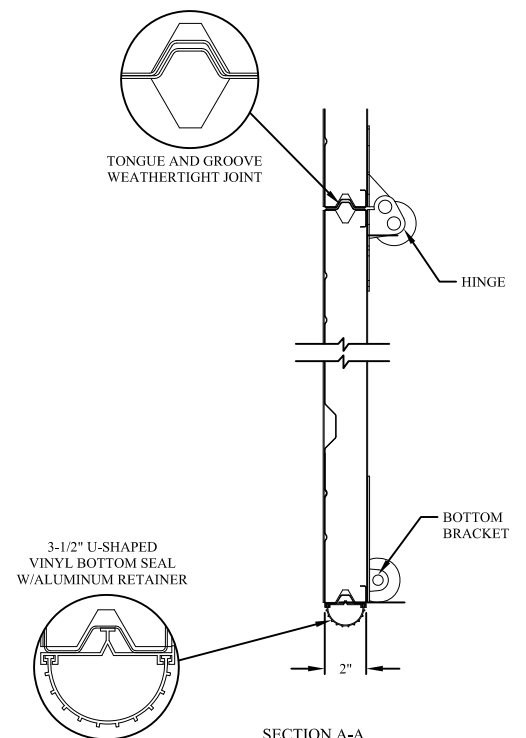
INSULATION TYPE: HAIRCELL
CFC-FREE
EXPANDED POLYSTYRENE
R= 7.0
(ALSO AVAILABLE WITH
25ga STEEL BACKER)



ISOMETRIC PROFILE



EXTERIOR ELEVATION



SECTION A-A