

**ASSA ABLOY SW200i-OS WITH DOORS
 DUAL (DHC) OVERHEAD SIDE ACCESS
 SWING DOOR OPERATOR(S)**

NOTE:

PACKAGE INCLUDES AUTOMATIC OPERATOR, CONTROLLER, PAS ARM, CONTINUOUS DOOR STOP, ALUMINUM DOOR PACKAGE AND SENSOR SYSTEM PER YOUR SELECTION. SEE I-ADAPT DRAWINGS 1010265 AND 1010266 FOR DETAILS ON SENSOR SYSTEM.

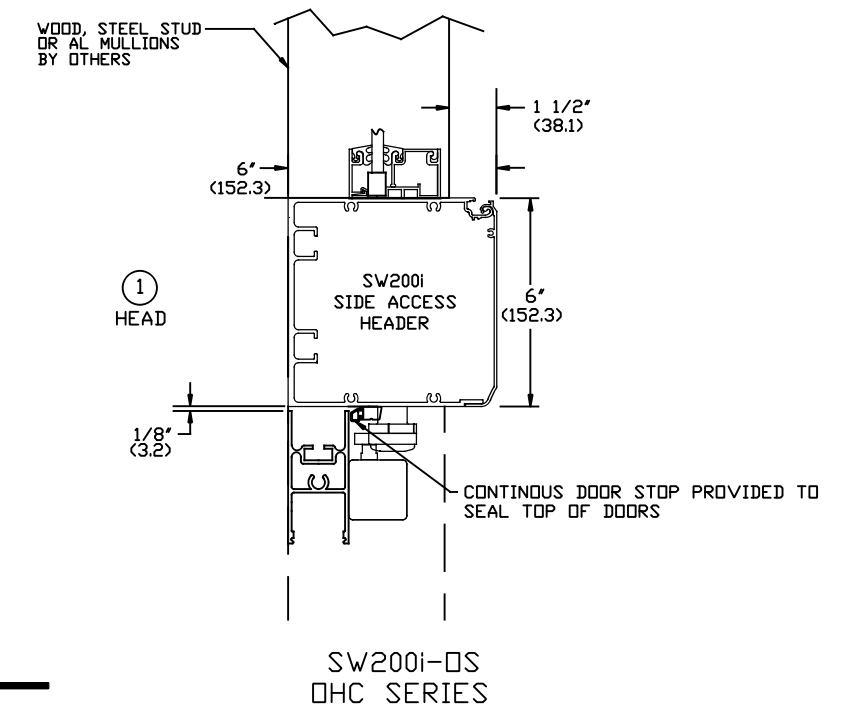
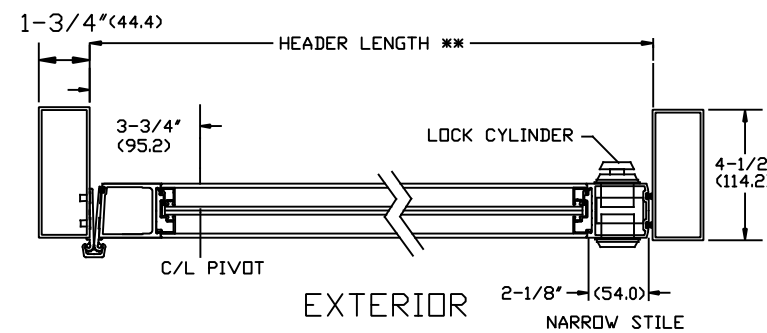
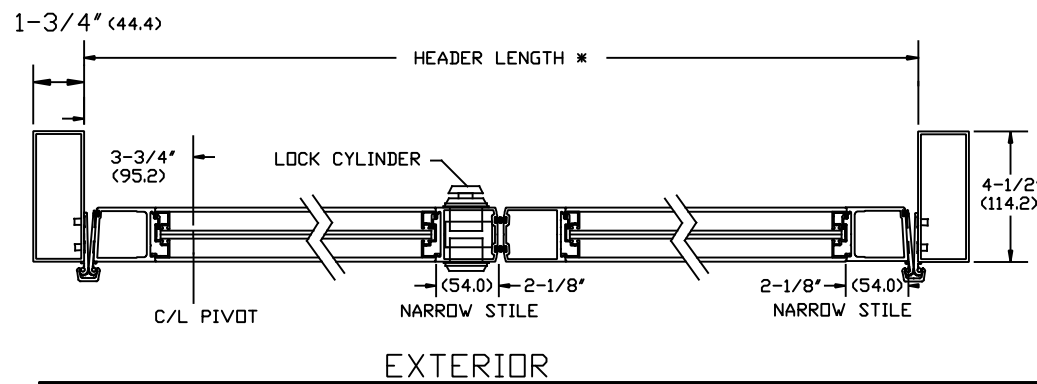
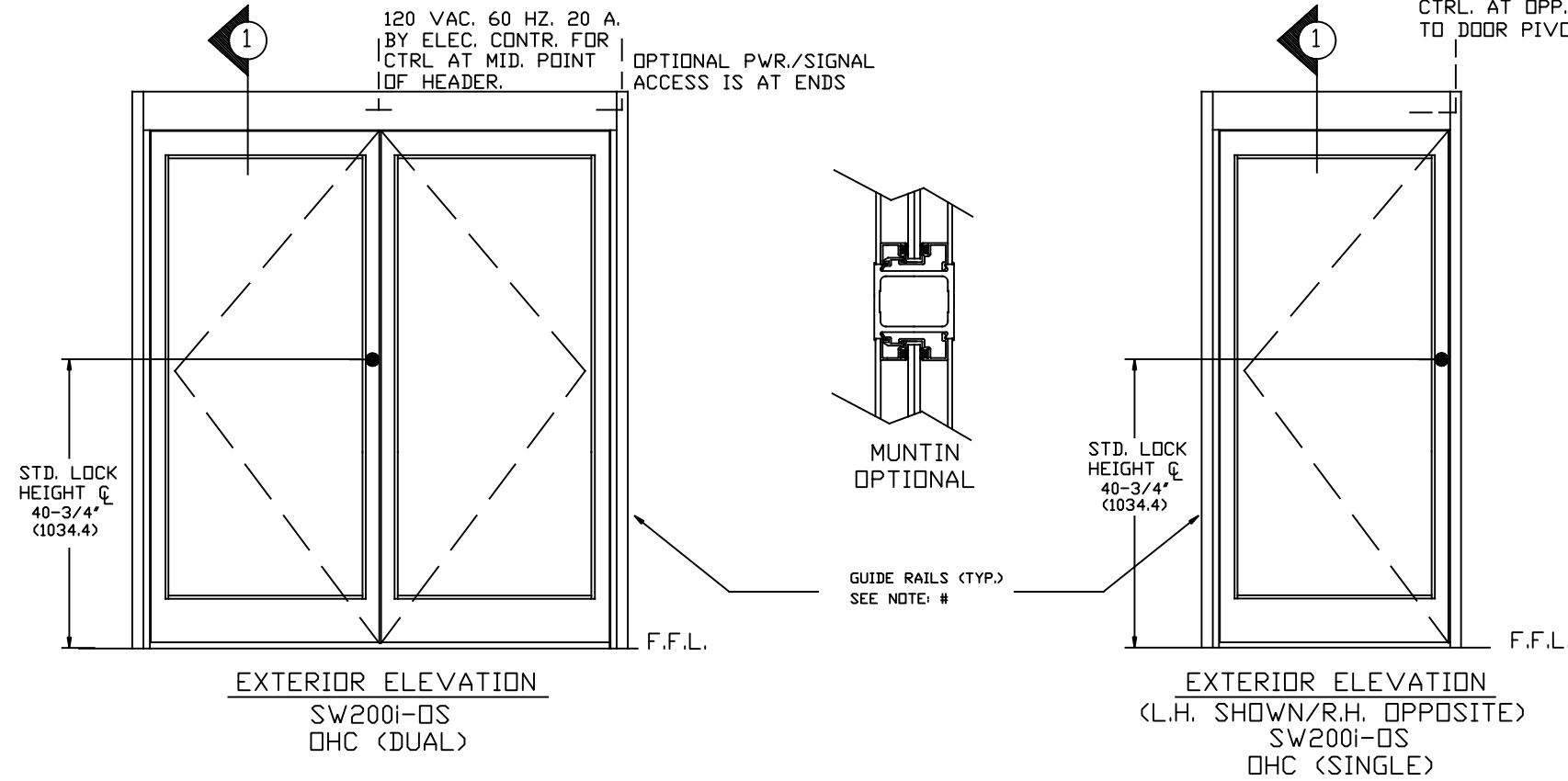
- * & ** CONSULT FACTORY
- * UNDER 74" (1880) & OVER 98" (2489)
- ** UNDER 37" (940) & OVER 49" (1245)

NET CLEAR DOOR OPENINGS FOR 36" & 42" DOORS IN THE OPEN POSITION ARE 33-1/2" & 39-1/2" RESPECTIVELY (OR BY FORMULA: DOOR SIZE-2.50")
 NOTE: EGRESS CLEARANCES MAY BE COMPROMISED BY EXTRA OR ADDITIONAL SURFACE MOUNTED HARDWARE. (SUCH AS PANICS).

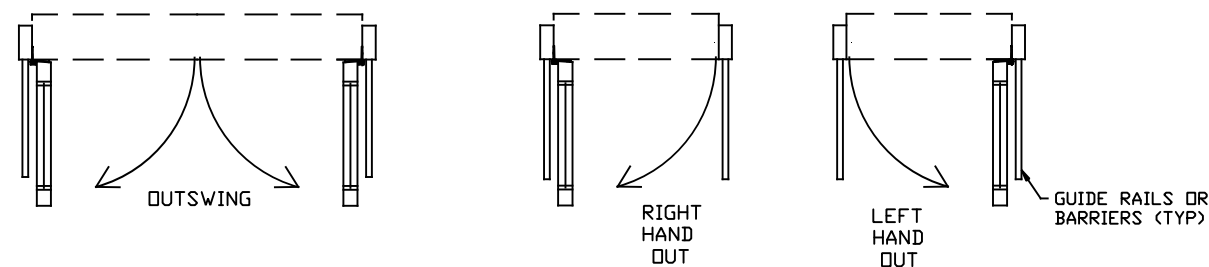
SW200i IS DESIGNED FOR HIGH PERFORMANCE, HEAVY USAGE PEDESTRIAN APPLICATIONS THAT COMPLY WITH ANSI A156.10. THE OPERATOR CAN ALSO BE ADJUSTED FOR LOWER MANUAL PUSH FORCES TO COMPLY WITH ANSI 156.19 AND FIRE DOOR REGULATIONS.

STANDARD FINISH:
 CLEAR - AA-M12C22A41, CLASS 1, .018 MM
 DARK BRONZE - AA-M12C22A44, CLASS 1, .018 MM
 SPECIAL FINISHES ARE AVAILABLE

NOTE: DRAWING IS DIMENSIONED IN BOTH ENGLISH AND METRIC. REF. AS FOLLOWS: 1" (25.4). ALL METRIC SIZES ARE IN MILLIMETERS.



INTERIOR



NOTE: #
 GUIDE RAILS (SHOWN) ARE REQUIRED ON THE SWINGPATH SIDE OF POWER OPERATED PEDESTRIAN DOORS (ANSI 156.10) BUT NOT ON LOW ENERGY POWER OPERATED DOORS (ANSI 156.19).

EXTERIOR

DWG NO:	1010761
DRN BY:	SS
DATE:	4/22/13
CHK BY:	SS
DATE:	4/22/13
REV:	2.0
DATE:	1/17/18