

NOTE:

PACKAGE INCLUDES AUTOMATIC OPERATOR, CONTROLLER, CONCEALED ARM, ALUMINUM DOOR PACKAGE AND SENSOR SYSTEM PER YOUR SELECTION. SEE I-ADAPT DRAWINGS 1010265 AND 1010266 FOR DETAILS ON SENSOR SYSTEM.

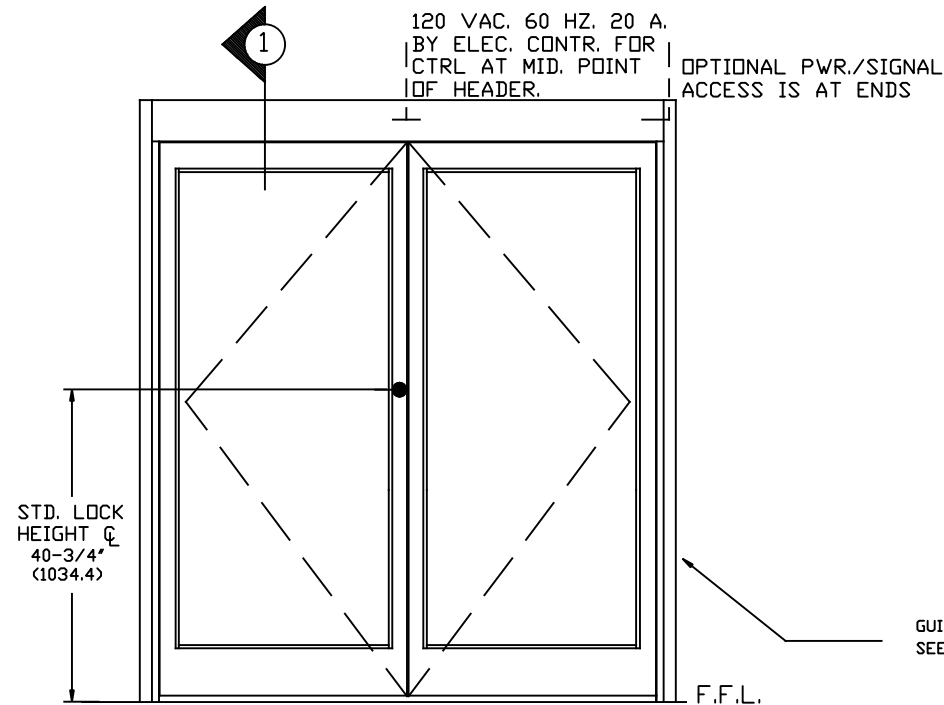
- * & ** CONSULT FACTORY
- * UNDER 74" (1880) & OVER 98" (2489)
- ** UNDER 37" (940) & OVER 49" (1245)

NET CLEAR DOOR OPENINGS FOR 36" & 42" DOORS IN THE OPEN POSITION ARE 32-1/8" & 38-1/8" RESPECTIVELY (OR BY FORMULA: DOOR SIZE-3.87")
 NOTE: EGRESS CLEARANCES MAY BE COMPROMISED BY EXTRA OR ADDITIONAL SURFACE MOUNTED HARDWARE. (SUCH AS PANICS).

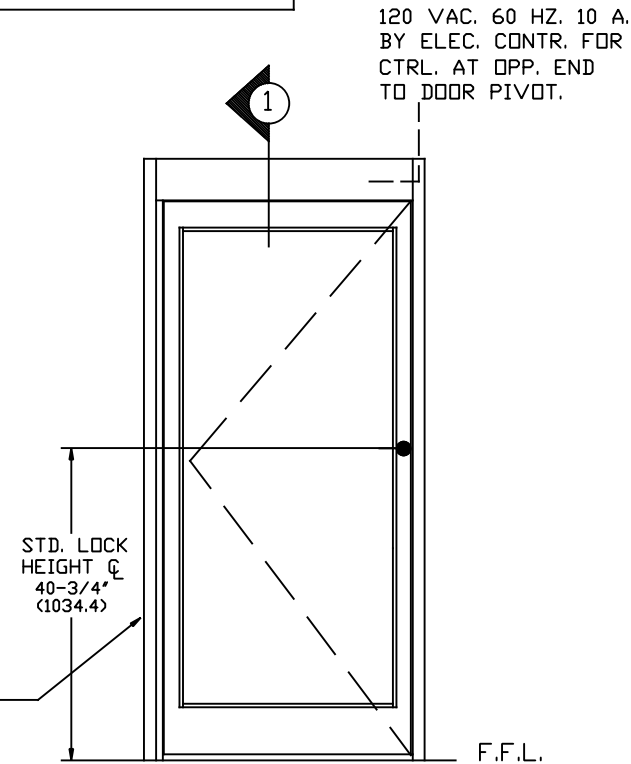
SW200i IS DESIGNED FOR HIGH PERFORMANCE, HEAVY USAGE PEDESTRIAN APPLICATIONS THAT COMPLY WITH ANSI A156.10. THE OPERATOR CAN ALSO BE ADJUSTED FOR LOWER MANUAL PUSH FORCES TO COMPLY WITH ANSI 156.19 AND FIRE DOOR REGULATIONS.

STANDARD FINISH:
 CLEAR - AA-M12C22A41, CLASS 1, .018 MM
 DARK BRONZE - AA-M12C22A44, CLASS 1, .018 MM
 SPECIAL FINISHES ARE AVAILABLE

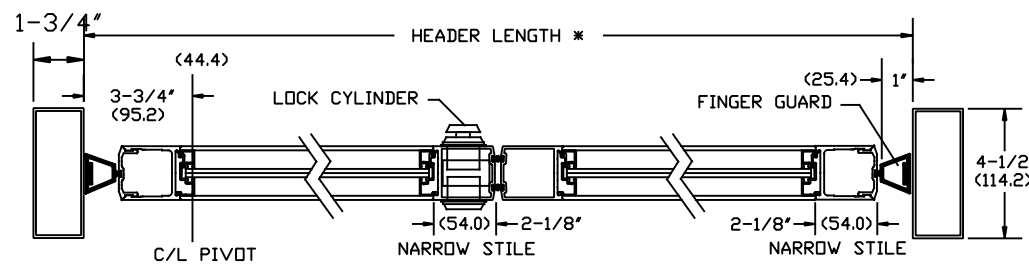
NOTE: DRAWING IS DIMENSIONED IN BOTH ENGLISH AND METRIC. REF. AS FOLLOWS: 1" (25.4). ALL METRIC SIZES ARE IN MILLIMETERS.



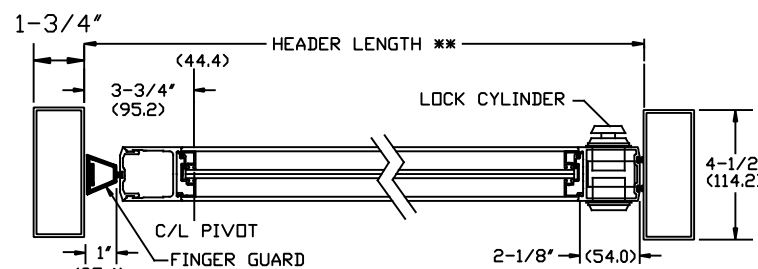
EXTERIOR ELEVATION
 SW200i
 OHC (DUAL)



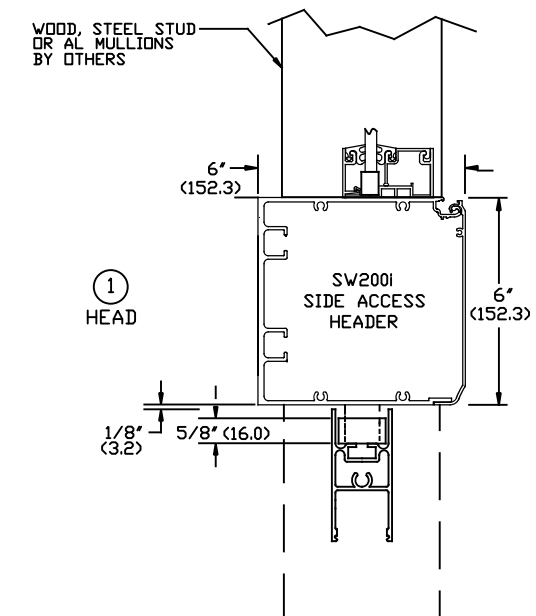
EXTERIOR ELEVATION
 (L.H. SHOWN/R.H. OPPOSITE)
 SW200i
 OHC (SINGLE)



EXTERIOR

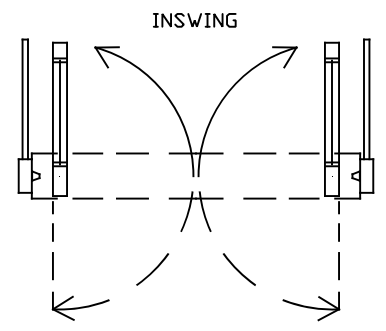


EXTERIOR

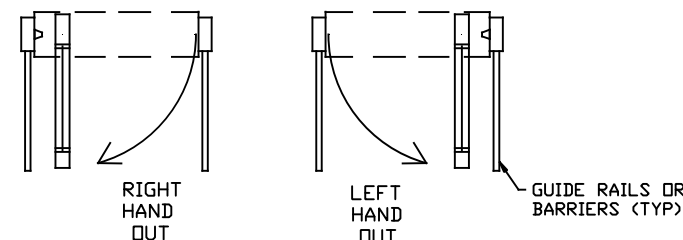
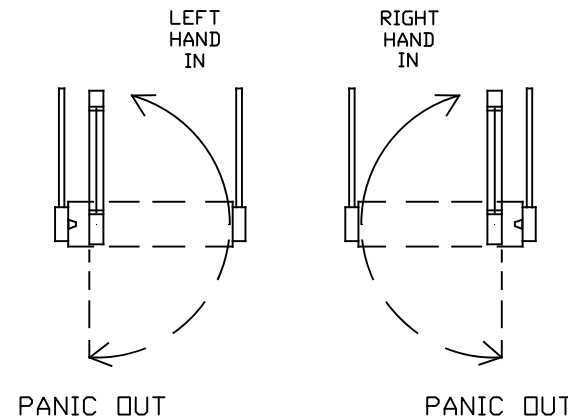
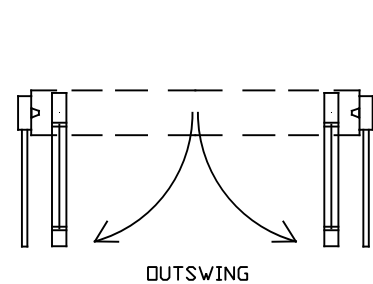


SW200i
 OHC SERIES

INTERIOR



INSWING
 OUTSWING
 PANIC OUT
 PANIC OUT
 EXTERIOR



NOTE: #
 GUIDE RAILS (SHOWN) ARE REQUIRED ON THE SWINGPATH SIDE OF POWER OPERATED PEDESTRIAN DOORS (ANSI 156.10) BUT NOT ON LOW ENERGY POWER OPERATED DOORS (ANSI 156.19).

DWG NO. 1009985					
DRN BY	SS	DATE	12/14/12	CHK BY	JAW
		DATE	12/14/12	REV	4.0
				DATE	1/18/18