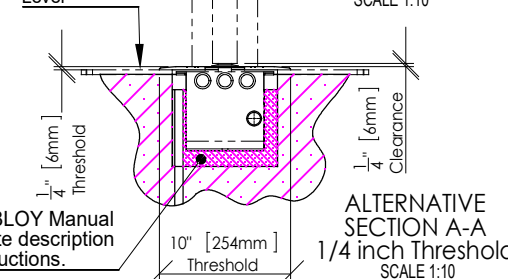
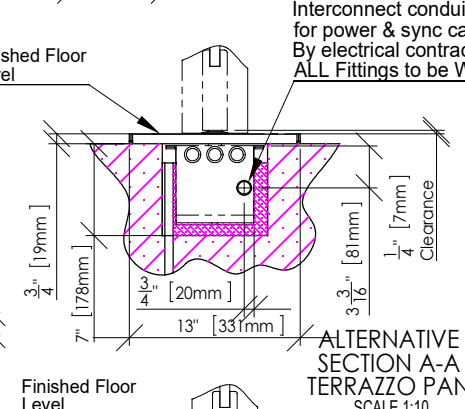
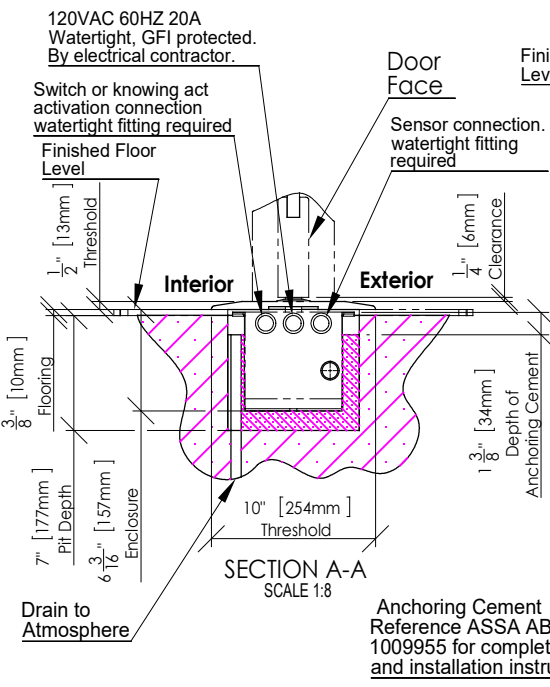
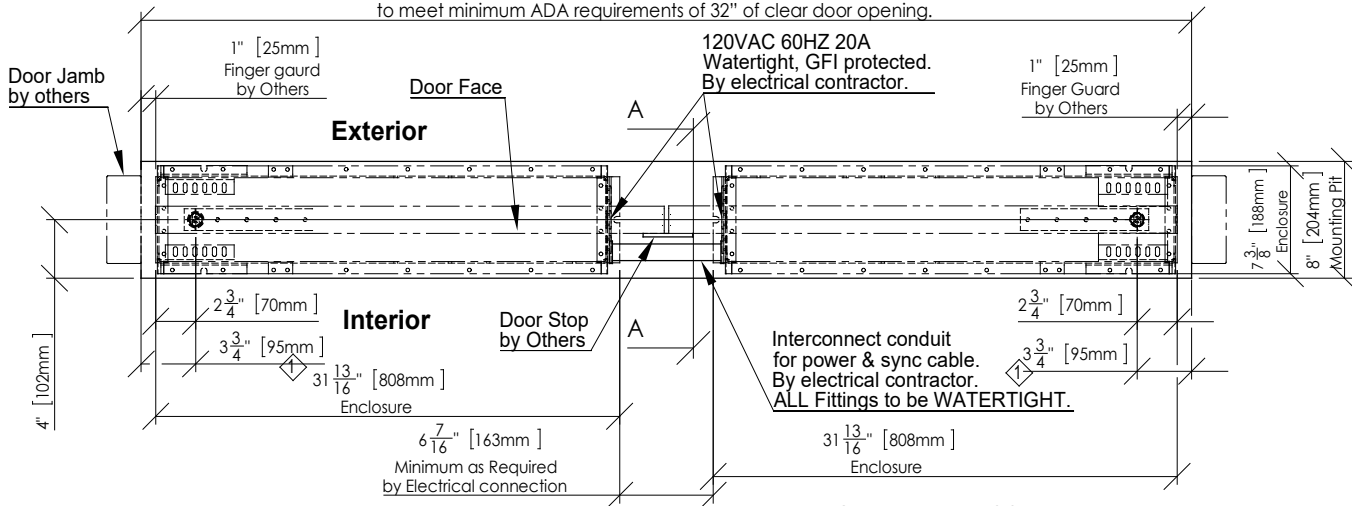


ASSA ABOY SW200i -IG In Ground SW200i-IG Operator Center Pivot, Double Door

Door width and pivot location must be configured to meet minimum ADA requirements of 32" of clear door opening.



Anchoring Cement Reference ASSA ABLOY Manual 1009955 for complete description and installation instructions.

NOTE:

- The SW200i-IG In Ground Operator is designed for pedestrian and ADA applications that require manual push forces to comply with ANSI A156.19 and fire door regulations. Maximum door weight 700lb [340 kg] Bottom Arm compatibility: See FTS 19-005 for complete list of compatible bottom arms
- SW200i-IG In Ground Operator requires purchase of SW200i Operator, a SW200i-IG installation kit and an Output Shaft Adaptor. Doors, Door Arms and threshold by others. ASSA ABLOY Center Pivot included if selected.
- SW200i Power/Reset switch is mounted within the In Ground enclosure. Alternative optional Switch mounting for 3 position on/off/hold, or 4 position off/two way/one-way/hold will be required on the door frame or optional remote box.
- Specify and order the required SW200i compatible Output Shaft Adaptor per Table 1 below and Besam SW200i-IG Installation Manual 1009955. Door bottom arm mortise depth may vary, reference Output adaptor description in ASSA ABLOY SW200i-IG Installation Manual 1009955.
- The SW200i-IG enclosure is splash proof when correctly assembled. It is essential the pit is drained or provided with a sump pump to prevent water accumulation in the pit.
- Finish of IG Enclosure is Black Powder Coat suitable for masonry exposure. All exterior hardware is Stainless Steel.
- Optional Sensor Kits are available.
- 90 deg. door stop (by others) is required for all ASSA ABLOY SW200i-IG installations.

Table 1 Center Pivot compatible arms and adaptors

Image	Product Name	Weight / Load	By Others
	7/8" Diameter Triangular Output Adaptor		
	Assa Abloy Center Pivot Arm	Rear load-----700lb [318 kg]	Assa Abloy 1009408
	11/16" Square Shaft Output Adaptor		
	Rixson H28/H40 Center Pivot	rear & side load-----700lb [318 kg]	By others
	7/8" Diameter Tapered Output Adaptor		
	Rixson 28 center pivot		
	Dorma BTS-80 Center Pivot	bottom load-----200lb [90 kg]	By others
Select for		Select for	
1/4" [6.4mm] thick threshold	ASSA ABLOY # 1018932	1/4" [6.4mm] thick threshold	ASSA ABLOY #1018960
1/2" [12.7mm] thick threshold	ASSA ABLOY #1018931	1/2" [12.7mm] thick threshold	ASSA ABLOY #1018960
3/4" [19.1mm] Terrazzo pan	ASSA ABLOY # 1018930	3/4" [19.1mm] Terrazzo pan	ASSA ABLOY #1018959
Select for		Select for	
1/4" [6.4mm] thick threshold	ASSA ABLOY #1018952	1/2" [12.7mm] thick threshold	ASSA ABLOY #1018952
3/4" [19.1mm] Terrazzo pan	ASSA ABLOY #1018951		

DWG. NO. 1009543
DRN BY mdv DATE 03/14/13 CHK BY DATE xx/xx/xx REV 4.0 DATE 4/23/19