

ASSA ABLOY

Welcome to the ASSA ABLOY Smart Drawing!

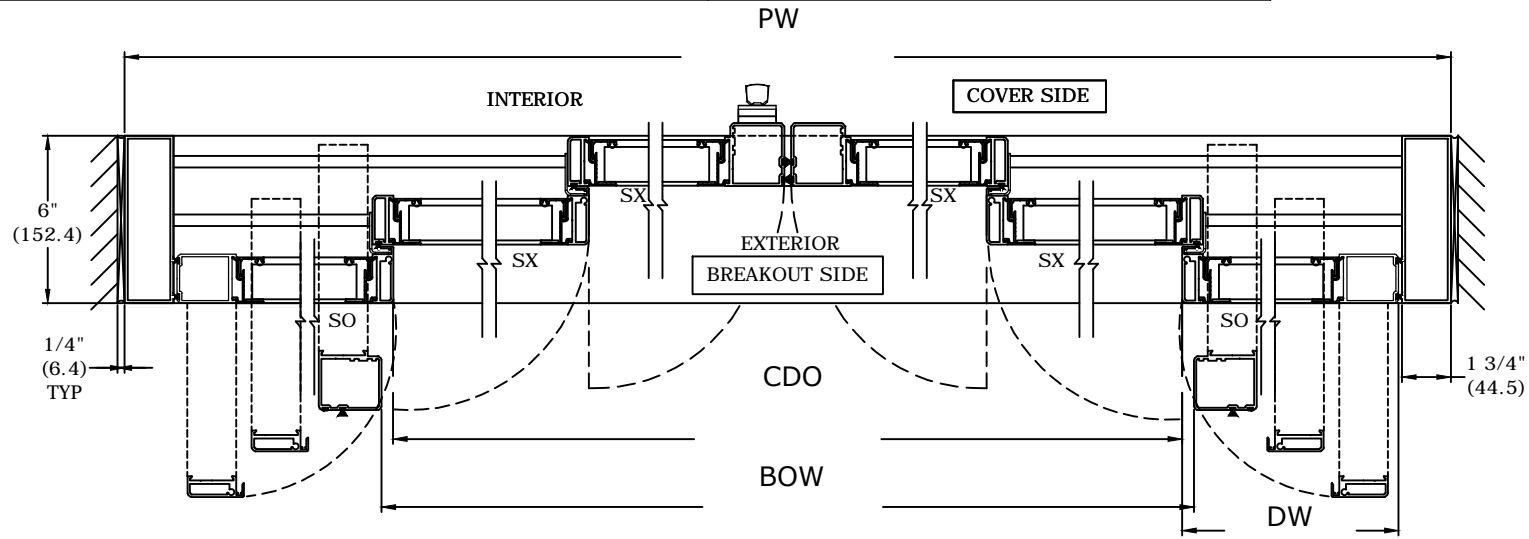
Below are instructions for using the ASSA ABLOY Smart Drawing:

- **Save the file to your computer, avoid opening using web based software (Internet Explorer, Firefox, etc).**
- **Open the file using an Adobe product (Adobe Reader, Adobe Professional, etc).**
- **Go to page 2 of this file.**
- **Change selections/dimensions based on your order using the pull down, check boxes and dimension boxes.**
- **Click on the 'Update' button so that the picture will update based on your selections.**
- **If you need to reset the defaults of the drawing, just click on the 'Reset' button.**
- **Once you have completed your selections/drawing, add your initials in the 'DRN BY' box located in title block.**
- **Click on the 'Print' button to make the non-editable PDF file to send to the customer. The date will automatically be added to the drawing.**
- **When the Print dialog box comes up on the screen, select a PDF writer (Adobe Pro, CutePDF Writer, etc) to print the file.**
- **Re-name the file, only print page 2 of the file and save it to the location you desire.**
- **You will not be able to save this editable document after you have opened it, please only use the 'Print' button to save a non-editable PDF file.**
- **You should now have a non-editable PDF file to send to your customer, it is that easy!**

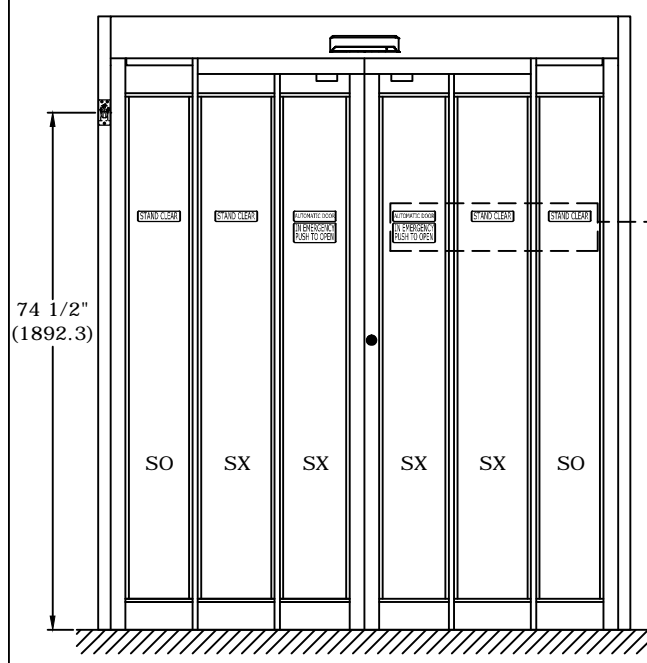
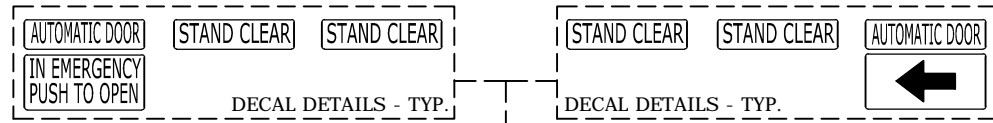
ASSA ABLOY

ASSA ABLOY ENTRANCE SYSTEMS
 1900 AIRPORT ROAD
 MONROE, NC 28110
 PHONE: 1-866-237-2687
 SPECDESK.NA.BESAM@ASSAABLOY.COM

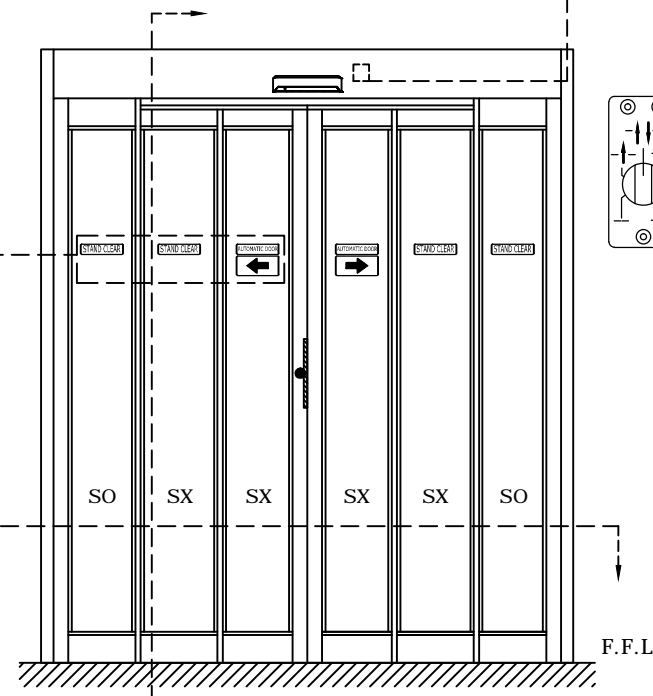
BESAM SL500 T67
 OVERHEAD CONCEALED FULL BREAKOUT
 TELESCOPIC SLIDING DOOR SYSTEM



HORIZONTAL SECTION
 THRESHOLD/LEADUP/EXTENSIONS NOT SHOWN IN TOP VIEW FOR CLARITY

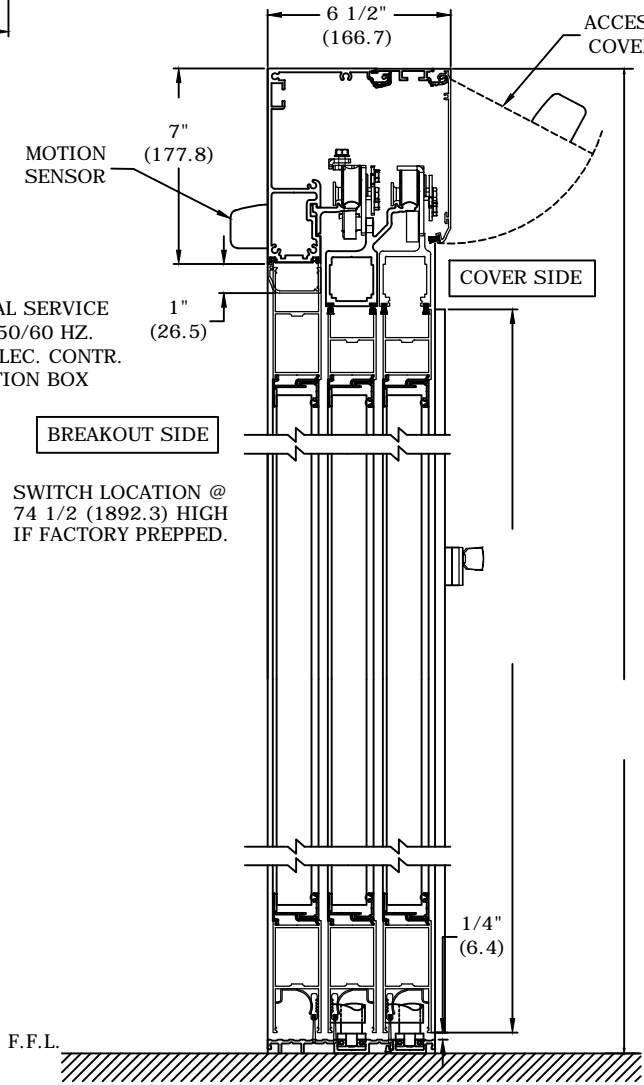
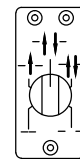


COVER SIDE
 INTERIOR ELEVATION



BREAKOUT SIDE
 EXTERIOR ELEVATION

*ELECTRICAL SERVICE
 120 VAC. 50/60 HZ.
 15/20A. BY ELEC. CONTR.
 TO JUNCTION BOX



VERTICAL SECTION

Notes:

- EcoDoor Seals, concealed sweeps, magnetic catch, replaceable core cylinder (if supplied), interior/ exterior armored strike and 1 1/4" glass stops are supplied with this package.
- Electric locks, panics, hydraulic closers, dampeners, cylinder guards and I/O boards not available with this package.
- Door width tolerance up to +/- 1/16".

DWG NO. ASSA ABLOY SMART DRAWING NUMBER:					
DRN BY	DATE	CHK BY	DATE	REV.	DATE
CUSTOMER NAME					
JOB NAME					

ASSA ABLOY

NOTES

© ALL RIGHTS RESERVED IN AND TO THIS MATERIAL ARE THE SOLE PROPERTY TO ASSA ABLOY ENTRANCE SYSTEMS AB. COPYING, SCANNING, ALTERATIONS OR MODIFICATIONS ARE EXPRESSLY FORBIDDEN WITHOUT PRIOR WRITTEN CONSENT OF THE APPLICABLE COMPANY WITHIN ASSA ABLOY ENTRANCE SYSTEMS AB. RIGHTS RESERVED FOR CHANGES WITHOUT PRIOR NOTICE. THIS PRODUCT IS AVAILABLE FROM ASSA ABLOY ENTRANCE SYSTEMS - NORTH AMERICA. CONSULT THE LOCAL REPRESENTATIVE IN YOUR REGION TO DISCUSS AVAILABILITY. REFER TO RELEVANT [LOCAL, STATE, NATIONAL, OR AHJ] BUILDING CODE FOR MIN DOOR HEIGHT AND MIN/MAX WIDTH ALLOWABLE FOR EGRESS REQUIREMENT IN CONJUNCTION WITH DRAWING.