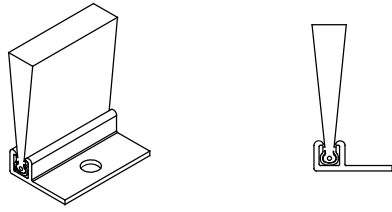
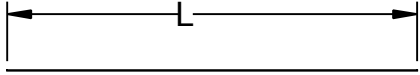
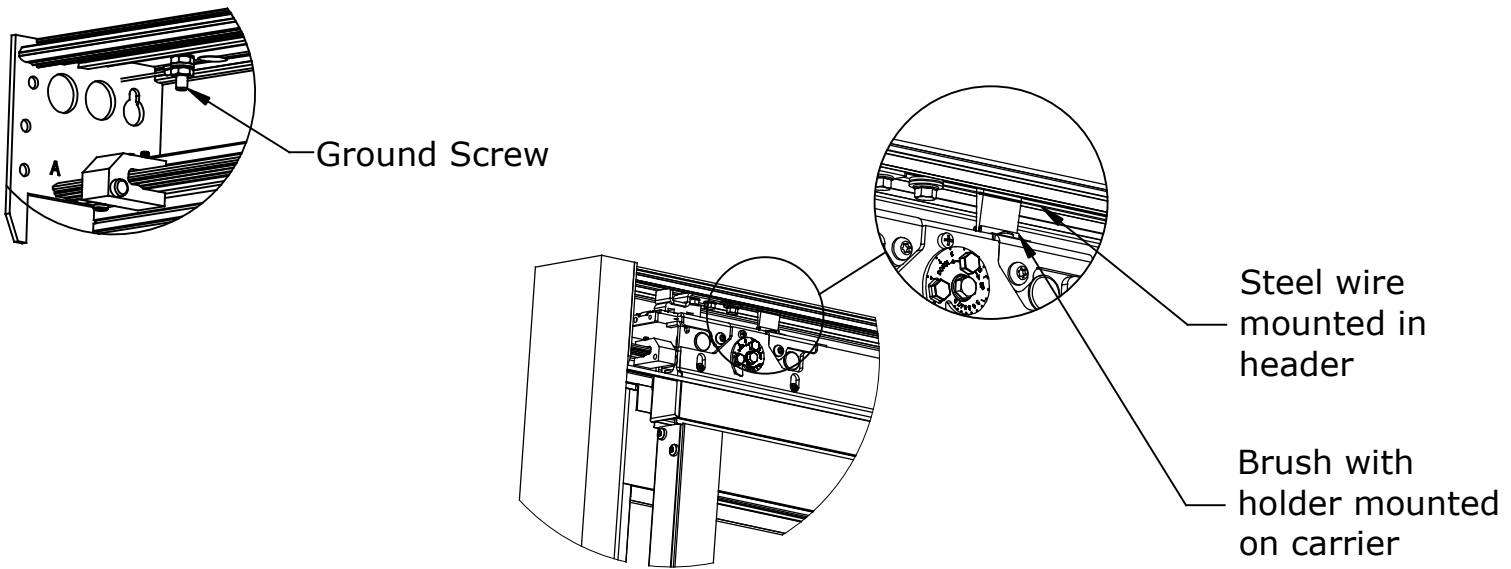


Description	Brush with Holder	
Remarks		

Description	Steel Wire	
Remarks	<ul style="list-style-type: none"> • L = Door Width + 2" 	



DWG NO. 1016558											
DRN BY	DBN	DATE	02/22/17	CHK BY	CLW	DATE	03/03/17	REV.	2.0	DATE	05/24/17