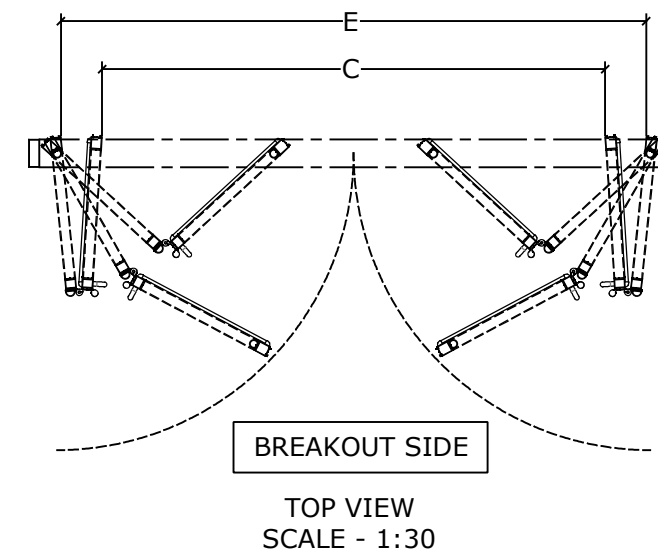
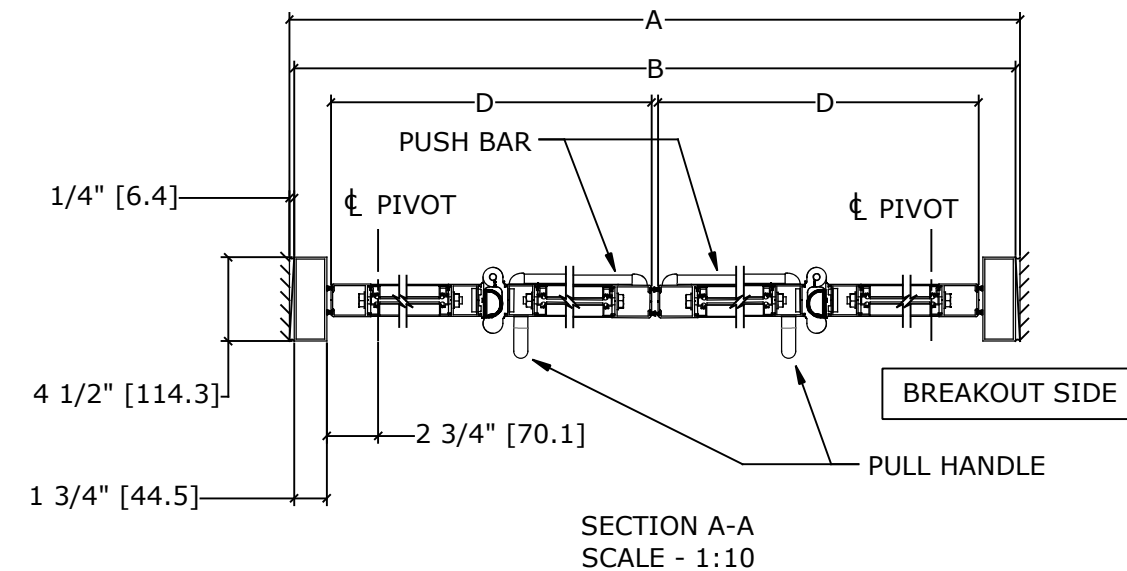
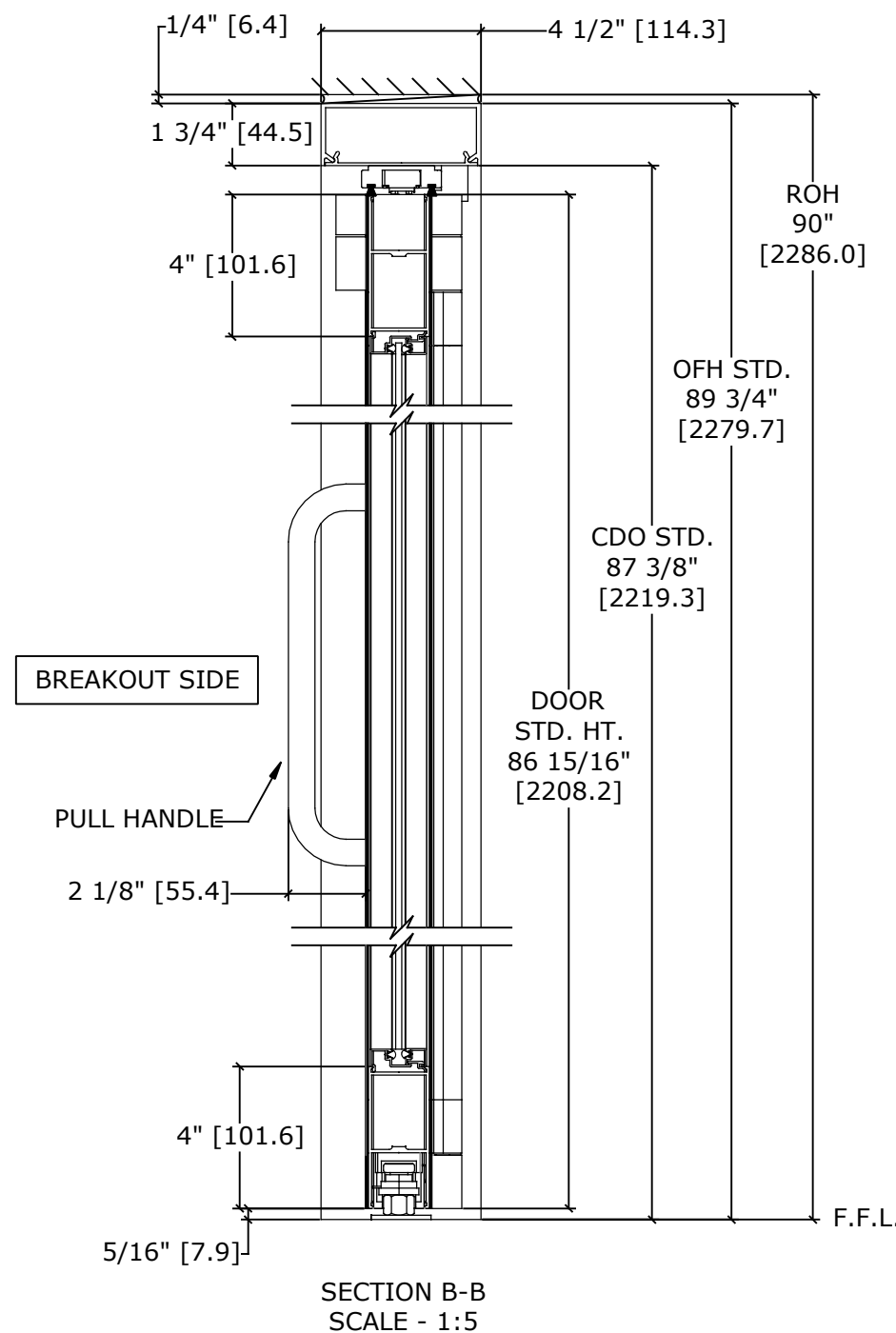
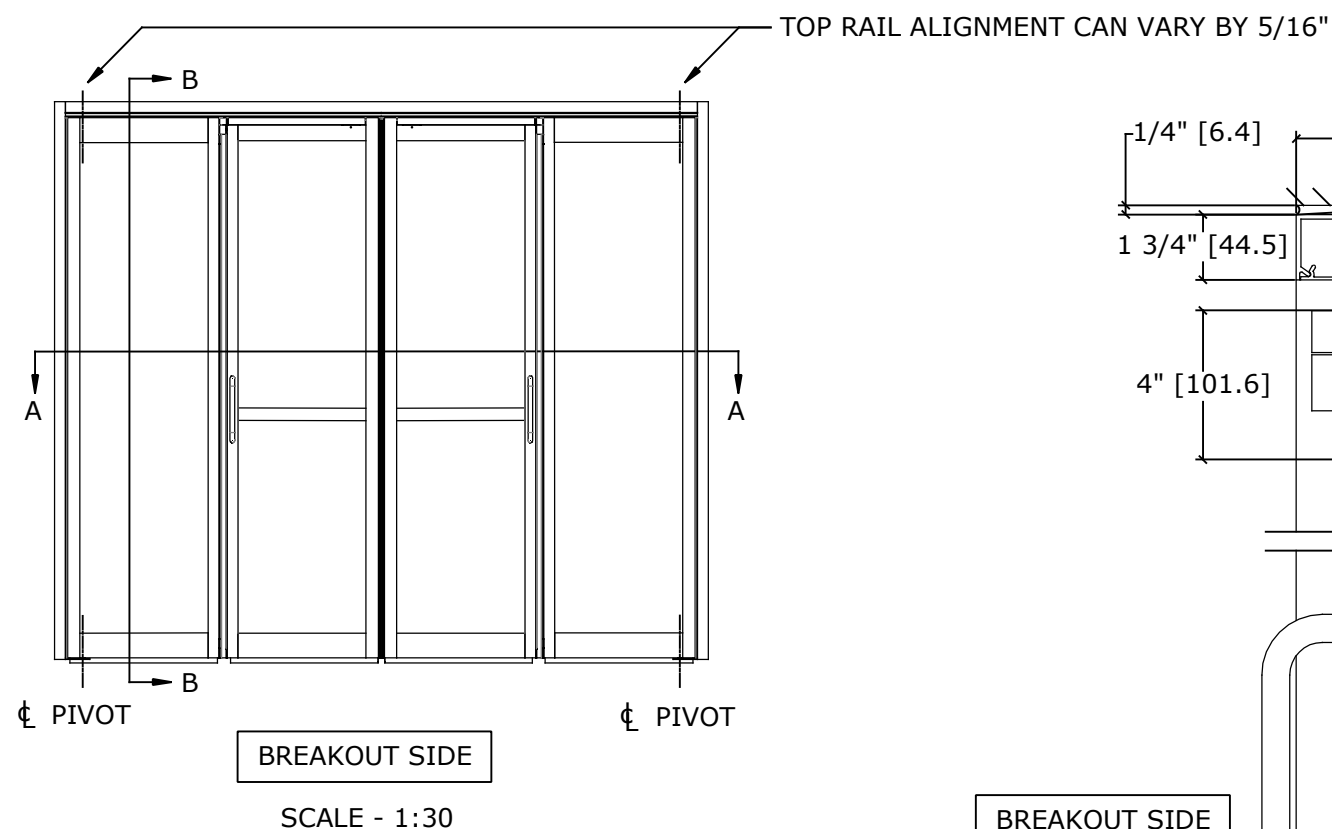


ASSA ABLOY VERSAMAX ICU DUAL FOLD DOOR SYSTEM

DIMENSIONS FOR 1/4" [6.4] GLASS

MODEL NO.	ROUGH OPENING WIDTH (A)	OVERALL FRAME WIDTH (B)	CLEAR DOOR OPENING (C)	DOOR WIDTH (D)	BREAKOUT OPENING (E)
VMF4-6-6	77 13/16" [1976.4]	77 5/16" [1963.7]	61 1/2" [1562.1]	36 5/8" [930.3]	66 5/16" [1684.3]
VMF4-11-9	140 7/16" [3567.1]	139 15/16" [3554.4]	124 1/8" [3152.8]	67 15/16" [1725.6]	128 15/16" [3275.0]
KEY:	B+1/2" B+[12.7]	A-1/2" A-[12.7]	B-15 13/16" B-[401.6]	(B-4 1/16")/2 (B-[103.2])/2	B-11" B-[279.4]

- MAX WEIGHT FOLD DOOR - 170 lbs
- INSULATED GLASS NOT TO EXCEED 1/8" PANES



NOTES

THE STANDARD PACKAGE CONSISTS OF:

- ICU HEADER
- FRAMES
- 1/4" GLASS STOPS AND BLOCKS
- FOLD DOOR PANELS WITH PULL "C" HANDLES TO THE EXTERIOR AND PUSH BARS TO THE INTERIOR
- STANDARD FINISH:
 CLASS 1, .018MM, CLEAR- AA-M12C22A41

OPTIONS INCLUDE:

- SPECIAL FINISHES
- *** SMOKE SEALS
- MUNTINS, SEE SHEET AA-14 FOR DETAILS
- MEDIUM STILE VERTICAL RAILS
- 7" AND 10" BOTTOM RAILS, SEE SHEET AA-14 FOR DETAILS
- 5/8", 1", AND 1 1/4" INSULATED GLASS, SEE SHEET AA-13 FOR DETAILS. INSULATED GLASS NOT TO EXCEED 1/8" PANES
- SEE SHEET OS-3 FOR ALL OTHER OPTIONS.

REFER TO RELEVANT [LOCAL, STATE, NATIONAL, OR AHJ] BUILDING CODE FOR MIN DOOR HEIGHT & MIN/MAX WIDTH ALLOWABLE FOR EGRESS REQUIREMENT IN CONJUNCTION WITH TABLE.

*** SMOKE SEAL PACKAGE IS DESIGNED TO MEET THE SMOKE INFILTRATION ASPECTS OF UL1784.

DWG NO.	1016239										
DRN BY	DBN	DATE	02/22/17	CHK BY	CLW	DATE	03/03/17	REV.	2.0	DATE	05/24/17