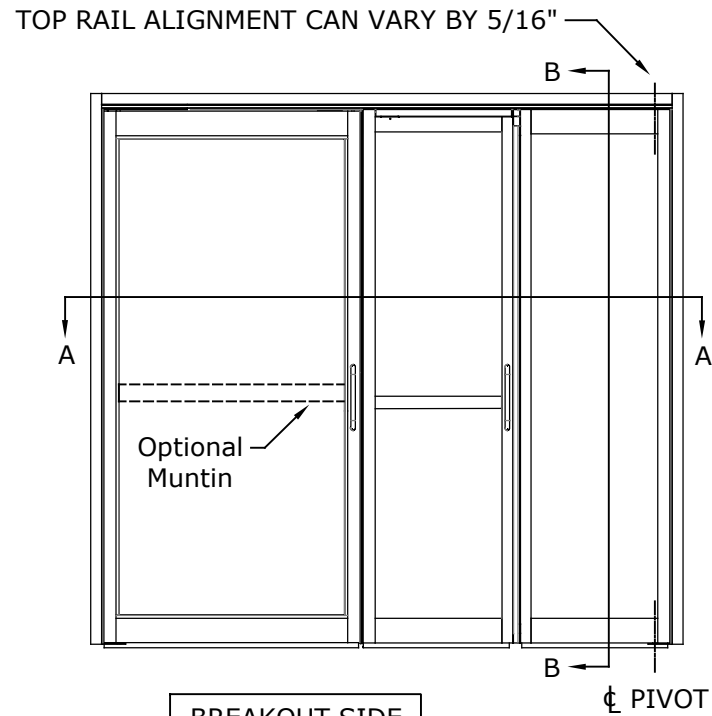


## ASSA ABLOY VERSAMAX ICU LH FOLD AND SWING DOOR SYSTEM

### DIMENSIONS FOR 1/4" [6.4] GLASS

MODEL NO.	ROUGH OPENING WIDTH (A)	OVERALL FRAME WIDTH (B)	CLEAR DOOR OPENING (C)	FOLD DOOR CDO (D)	SWING DOOR CDO (E)	FOLD DOOR WIDTH (F)	SWING DOOR WIDTH (G)
VMF2-5-6	65 3/4" [1670.1]	65 1/4" [1657.4]	51 7/8" [1317.6]	19" [482.6]	32 5/16" [820.7]	25 3/16" [639.8]	36" [914.4]
VMF2-10	120 1/2" [3060.7]	120" [3048.0]	106 5/8" [2708.3]	61 3/4" [1568.5]	44 5/16" [1125.5]	67 15/16" [1725.6]	48" [1219.2]
KEY:	B+1/2" B+[12.7]	A-1/2" A-[12.7]	D+E	F-6 3/16" F-[157.2]	G-3 11/16" G-[93.7]	B-G-4 1/16" B-G-[103.1]	

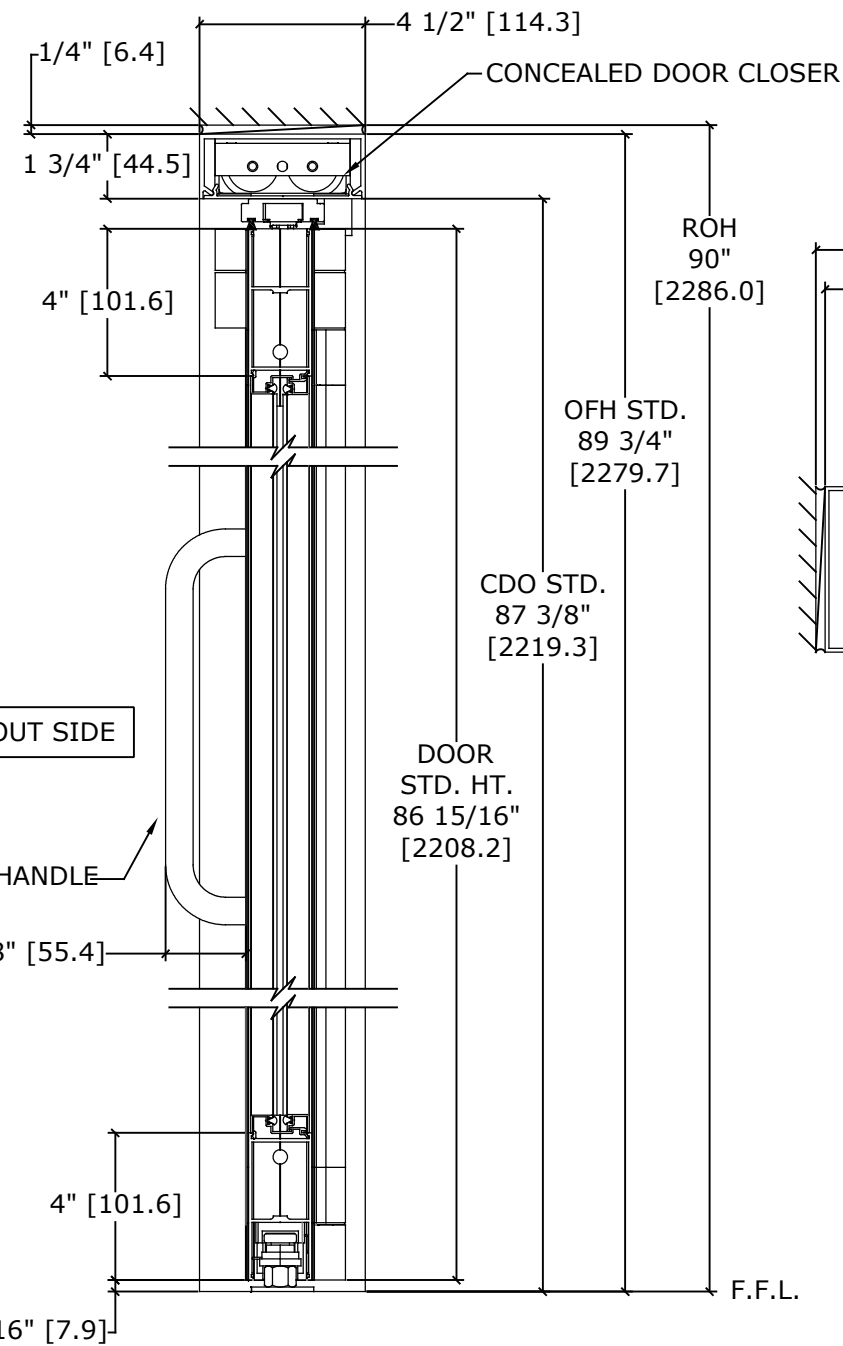
- MAX WEIGHT SWING DOOR - 115 lbs
- MAX WEIGHT FOLD DOOR - 170 lbs
- INSULATED GLASS NOT TO EXCEED 1/8" PANES



BREAKOUT SIDE

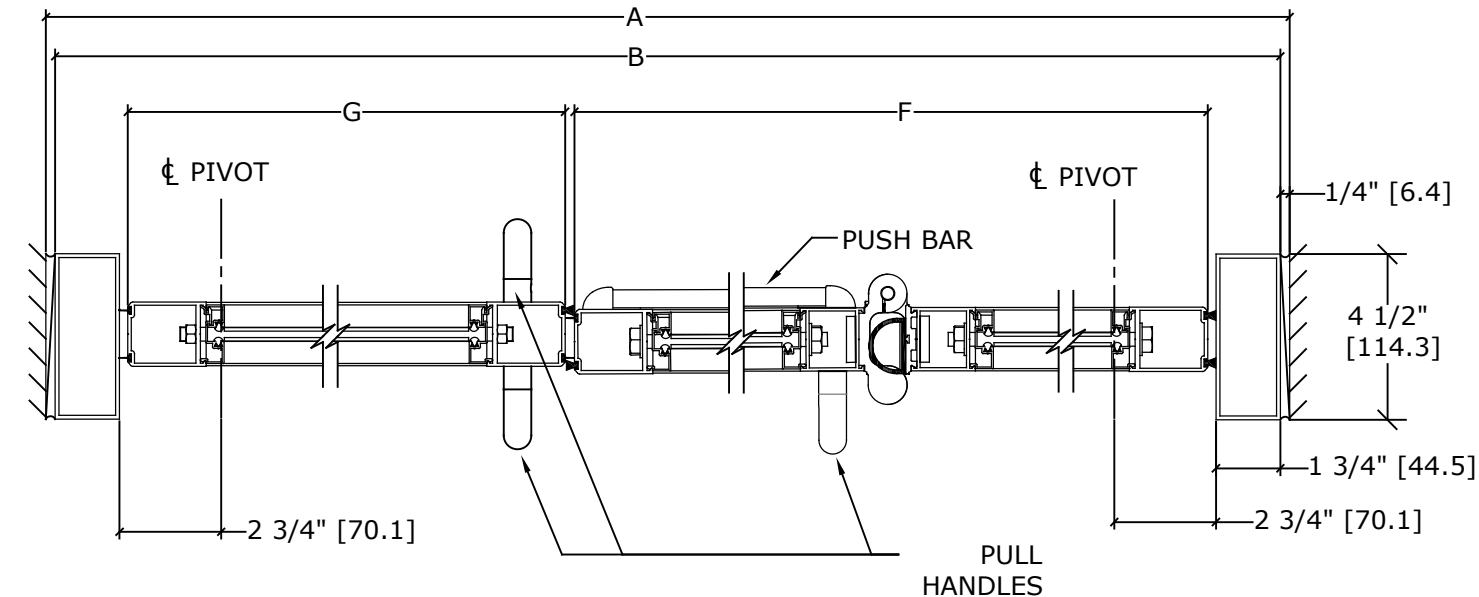
LH Fold and Swing Shown  
(RH Opposite)

SCALE - 1:30



BREAKOUT SIDE

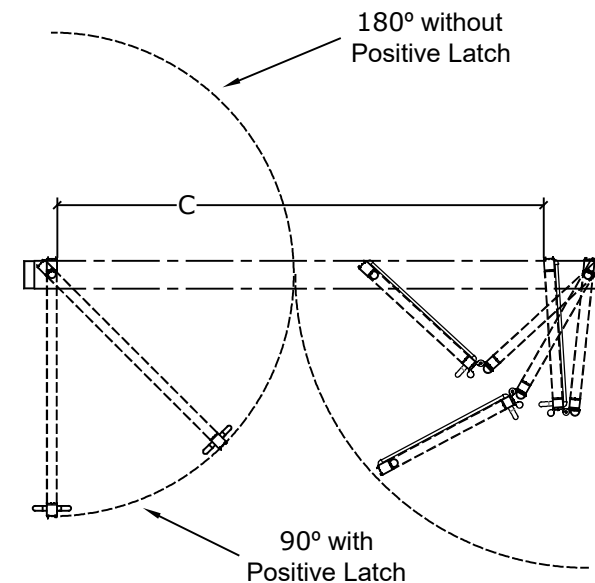
SECTION B-B  
SCALE - 1:5



BREAKOUT SIDE

LH Fold and Swing Shown  
(RH Opposite)

SECTION A-A  
SCALE - 1:5



BREAKOUT SIDE

TOP VIEW  
SCALE - 1:30

REFER TO RELEVANT [LOCAL, STATE, NATIONAL, OR AHJ] BUILDING CODE FOR MIN DOOR HEIGHT & MIN/MAX WIDTH ALLOWABLE FOR EGRESS REQUIREMENT IN CONJUNCTION WITH TABLE.

### NOTES

THE STANDARD PACKAGE CONSISTS OF:

- ICU HEADER
- FRAMES
- 1/4" GLASS STOPS AND BLOCKS
- SWING DOOR PANEL WITH PULL "C" HANDLES TO THE EXTERIOR AND TO THE INTERIOR, SEE SHEET AA-7 FOR DETAILS
- SWING DOOR PANEL WITH A CONCEALED DOOR CLOSER, SEE SHEET AA-24 FOR DETAILS
- FOLD DOOR PANEL WITH A PULL "C" HANDLE TO THE EXTERIOR AND PUSH BAR TO THE INTERIOR
- STANDARD FINISH:  
CLASS 1, .018MM, CLEAR- AA-M12C22A41

OPTIONS INCLUDE:

- SPECIAL FINISHES
- \*\*\*SMOKE SEALS
- MUNTINS, SEE SHEET AA-14 FOR DETAILS
- 7" AND 10" BOTTOM RAILS, SEE SHEET AA-14 FOR DETAILS
- 5/8", 1", AND 1 1/4" INSULATED GLASS, SEE SHEET AA-13 FOR DETAILS. INSULATED GLASS NOT TO EXCEED 1/8" PANES
- SEE SHEET OS-3 FOR ALL OTHER OPTIONS.

\*\*\* SMOKE SEAL PACKAGE IS DESIGNED TO MEET THE SMOKE INFILTRATION ASPECTS OF UL1784.

DWG NO.	1016236										
DRN BY	DBN	DATE	10/25/18	CHK BY	CLW	DATE	10/25/18	REV.	3.0	DATE	10/2/19