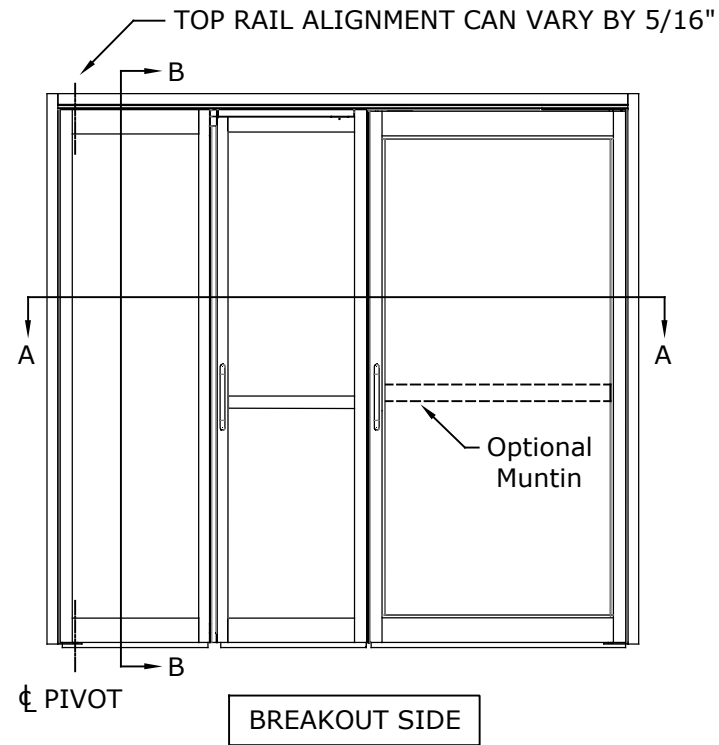


ASSA ABLOY VERSAMAX ICU RH FOLD AND SWING DOOR SYSTEM

DIMENSIONS FOR 1/4" [6.4] GLASS

| MODEL NO. | ROUGH OPENING WIDTH (A) | OVERALL FRAME WIDTH (B) | CLEAR DOOR OPENING (C) | FOLD DOOR CDO (D) | SWING DOOR CDO (E) | FOLD DOOR WIDTH (F) | SWING DOOR WIDTH (G) |
|-----------|-------------------------|-------------------------|------------------------|------------------------|------------------------|-----------------------------|----------------------|
| VMF2-5-6 | 65 3/4" [1670.1] | 65 1/4" [1657.4] | 51 7/8" [1317.6] | 19" [482.6] | 32 5/16" [820.7] | 25 3/16" [639.8] | 36" [914.4] |
| VMF2-10 | 120 1/2" [3060.7] | 120" [3048.0] | 106 5/8" [2708.3] | 61 3/4" [1568.5] | 44 5/16" [1125.5] | 67 15/16" [1725.6] | 48" [1219.2] |
| KEY: | B+1/2" B+[12.7] | A-1/2" A-[12.7] | D+E | F-6 3/16" F-[157.2] | G-3 11/16" G-[93.7] | B-G- 4 1/16" B-G-[103.8] | |

- MAX WEIGHT SWING DOOR - 115 lbs
- MAX WEIGHT FOLD DOOR - 170 lbs
- INSULATED GLASS NOT TO EXCEED 1/8" PANES



RH Fold and Swing Shown
(LH Opposite)

SCALE - 1:30

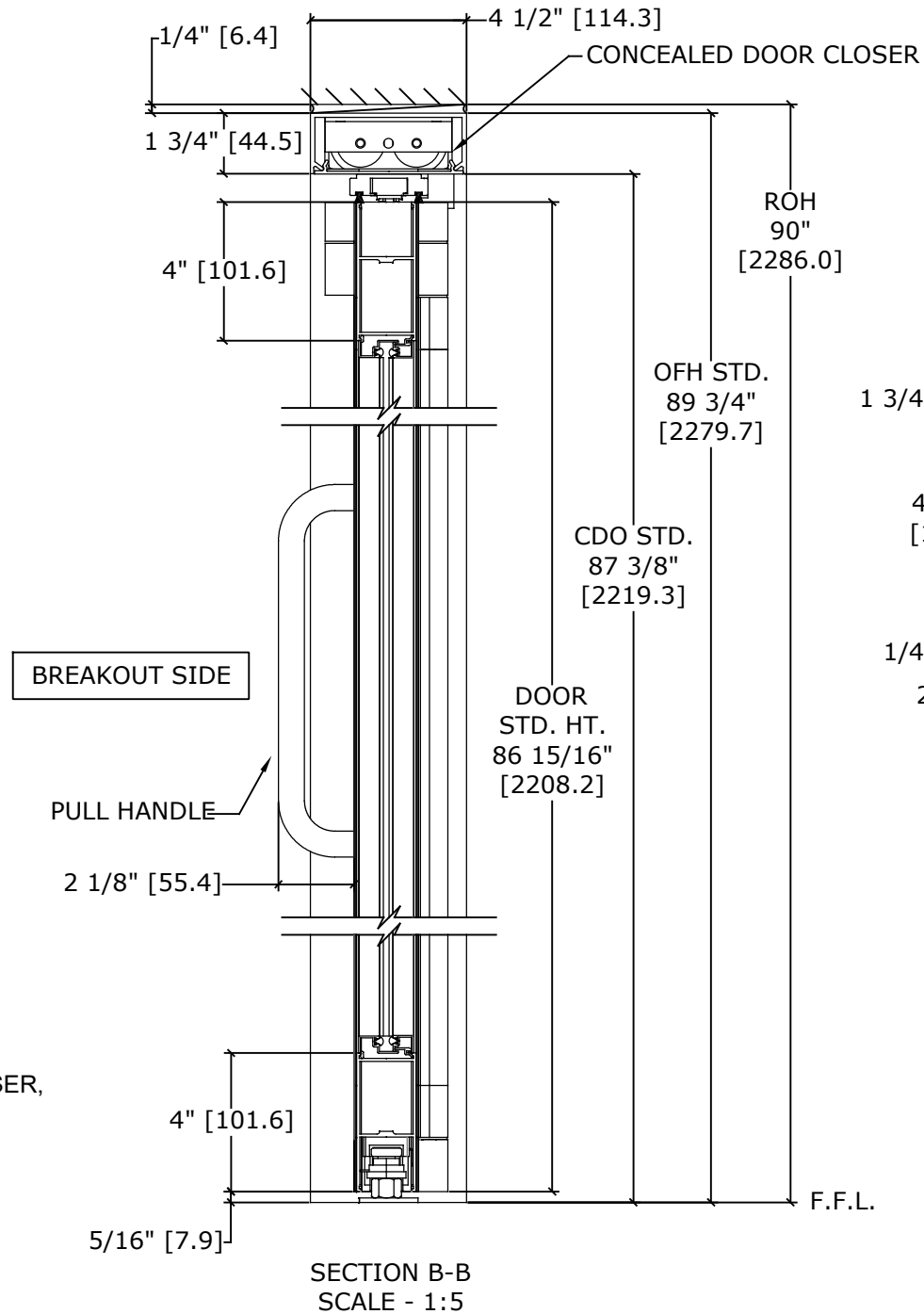
NOTES

THE STANDARD PACKAGE CONSISTS OF:

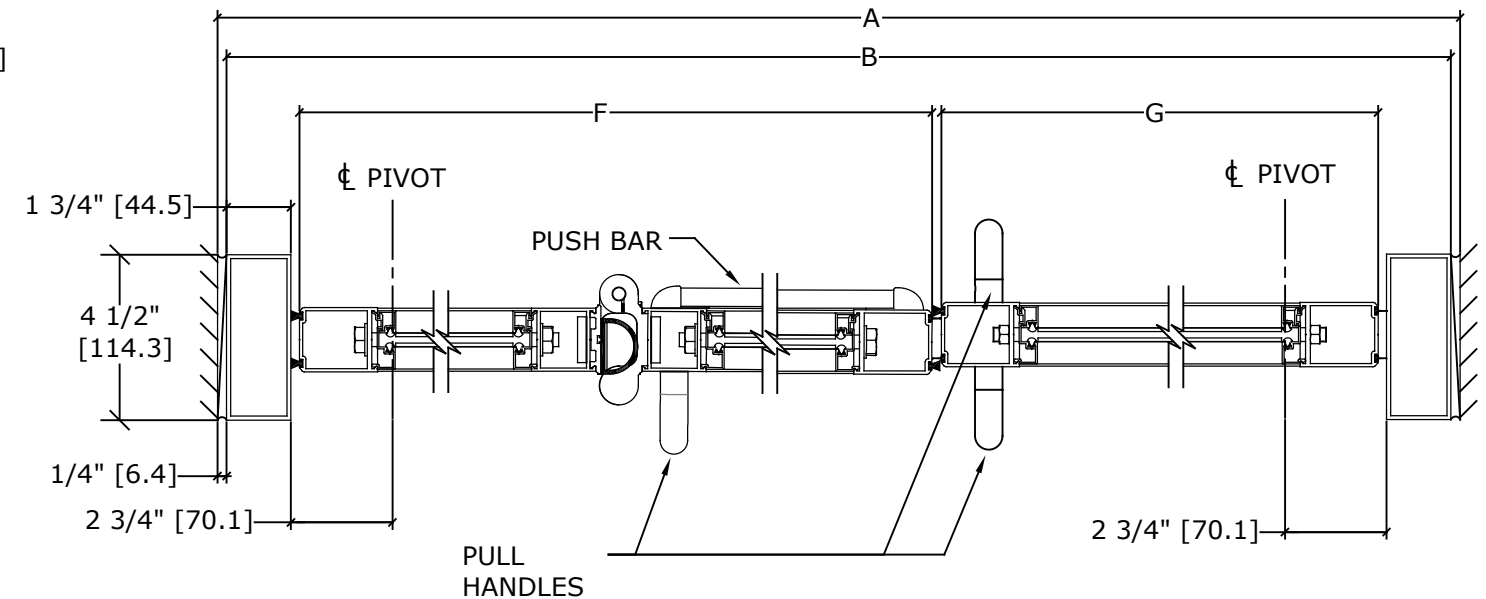
- ICU HEADER
- FRAMES
- 1/4" GLASS STOPS AND BLOCKS
- SWING DOOR PANEL WITH PULL "C" HANDLES TO THE EXTERIOR AND TO THE INTERIOR, SEE SHEET AA-7 FOR DETAILS
- SWING DOOR PANEL WITH A CONCEALED DOOR CLOSER, SEE SHEET AA-24 FOR DETAILS
- FOLD DOOR PANEL WITH A PULL "C" HANDLE TO THE EXTERIOR AND PUSH BAR TO THE INTERIOR
- STANDARD FINISH: CLASS 1, .018MM, CLEAR- AA-M12C22A41

OPTIONS INCLUDE:

- SPECIAL FINISHES
- ***SMOKE SEALS
- MUNTINS, SEE SHEET AA-14 FOR DETAILS
- 7" AND 10" BOTTOM RAILS, SEE SHEET AA-14 FOR DETAILS
- 5/8", 1", AND 1 1/4" INSULATED GLASS, SEE SHEET AA-13 FOR DETAILS. INSULATED GLASS NOT TO EXCEED 1/8" PANES
- SEE SHEET OS-3 FOR ALL OTHER OPTIONS.

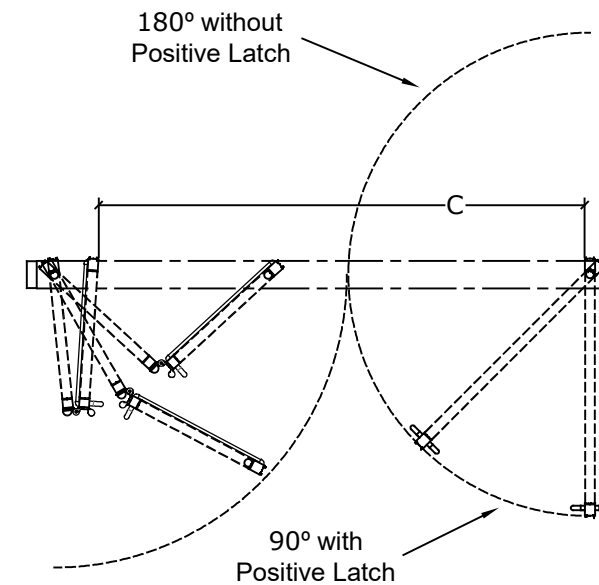


SECTION B-B
SCALE - 1:5



RH Fold and Swing Shown
(LH Opposite)

SECTION A-A
SCALE - 1:5



BREAKOUT SIDE

TOP VIEW
SCALE - 1:30

REFER TO RELEVANT [LOCAL, STATE, NATIONAL, OR AHJ] BUILDING CODE FOR MIN DOOR HEIGHT & MIN/MAX WIDTH ALLOWABLE FOR EGRESS REQUIREMENT IN CONJUNCTION WITH TABLE.

| | | | | | | | | | | | |
|---------|---------|------|----------|--------|-----|------|----------|------|-----|------|---------|
| DWG NO. | 1016235 | | | | | | | | | | |
| DRN BY | DBN | DATE | 10/25/18 | CHK BY | CLW | DATE | 10/25/18 | REV. | 3.0 | DATE | 10/2/19 |