

ASSA ABLOY SW200i-FOLD WITH DOORS 4 PANEL CONCEALED FOLDING DOOR SYSTEM

NOTES:

PACKAGE INCLUDES:
 AUTOMATIC OPERATOR, DOORS, FRAMES, WEATHERSTRIPPING, FINGERGUARDS,
 EMERGENCY BREAKAWAY, "3-POSITION" SWITCH (OFF - AUTO - HOLD OPEN),
 "3-POINT" LOCK SYSTEM AND SENSOR SYSTEM PER YOUR SELECTION. SEE
 I-ADAPT DRAWINGS 1010265 AND 1010266 FOR DETAILS ON SENSOR SYSTEM.

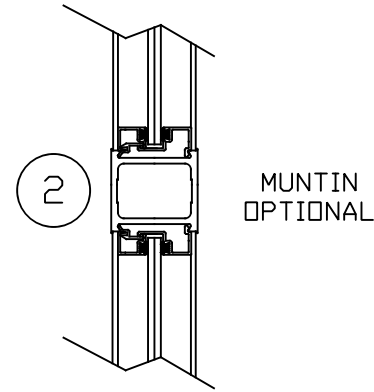
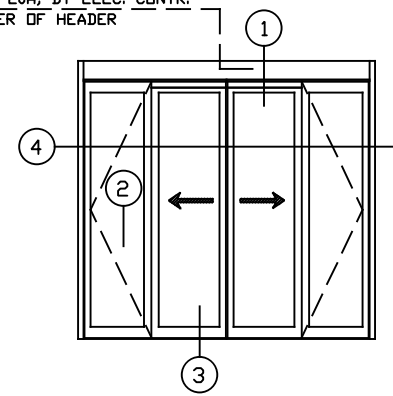
STANDARD FINISH:
 CLEAR - AA-M12C22A41, CLASS 1, .018 MM.
 DARK BRONZE - AA-M12C22A44, CLASS 1, .018 MM.
 SPECIAL FINISHES ARE AVAILABLE

NOTE: OPERATIONAL ADJUSTMENTS TO BE
 IN ACCORDANCE WITH CURRENT
 ANSI/BHMA A156.10 FOR POWER
 OPERATED PEDESTRIAN DOORS

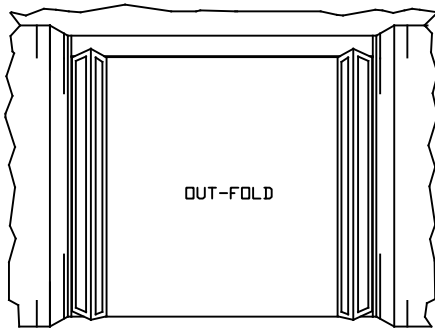
* ELECTRICAL SERVICE 120VAC,
 50/60HZ, 20A, BY ELEC. CONTR.
 TO CENTER OF HEADER

NOTE: DRAWING IS DIMENSIONED IN BOTH ENGLISH AND METRIC.
 REF. AS FOLLOWS: 1" (25.4). ALL METRIC SIZES ARE IN MILLIMETERS.

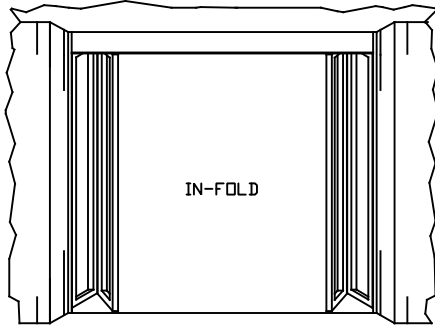
* FOR MAXIMUM CURRENT DRAW PER OPERATOR, SEE PRODUCT SPECIFICATION,
 INSTALLATION INSTRUCTIONS, OR THE UL LABEL ON THE EQUIPMENT.



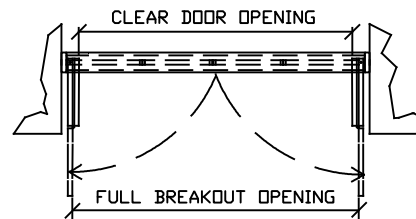
MUNTIN
 OPTIONAL



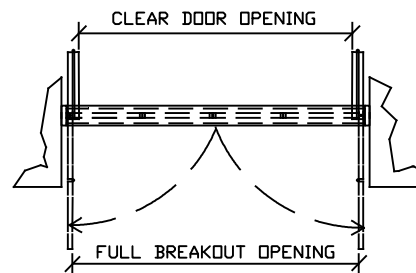
OUT-FOLD



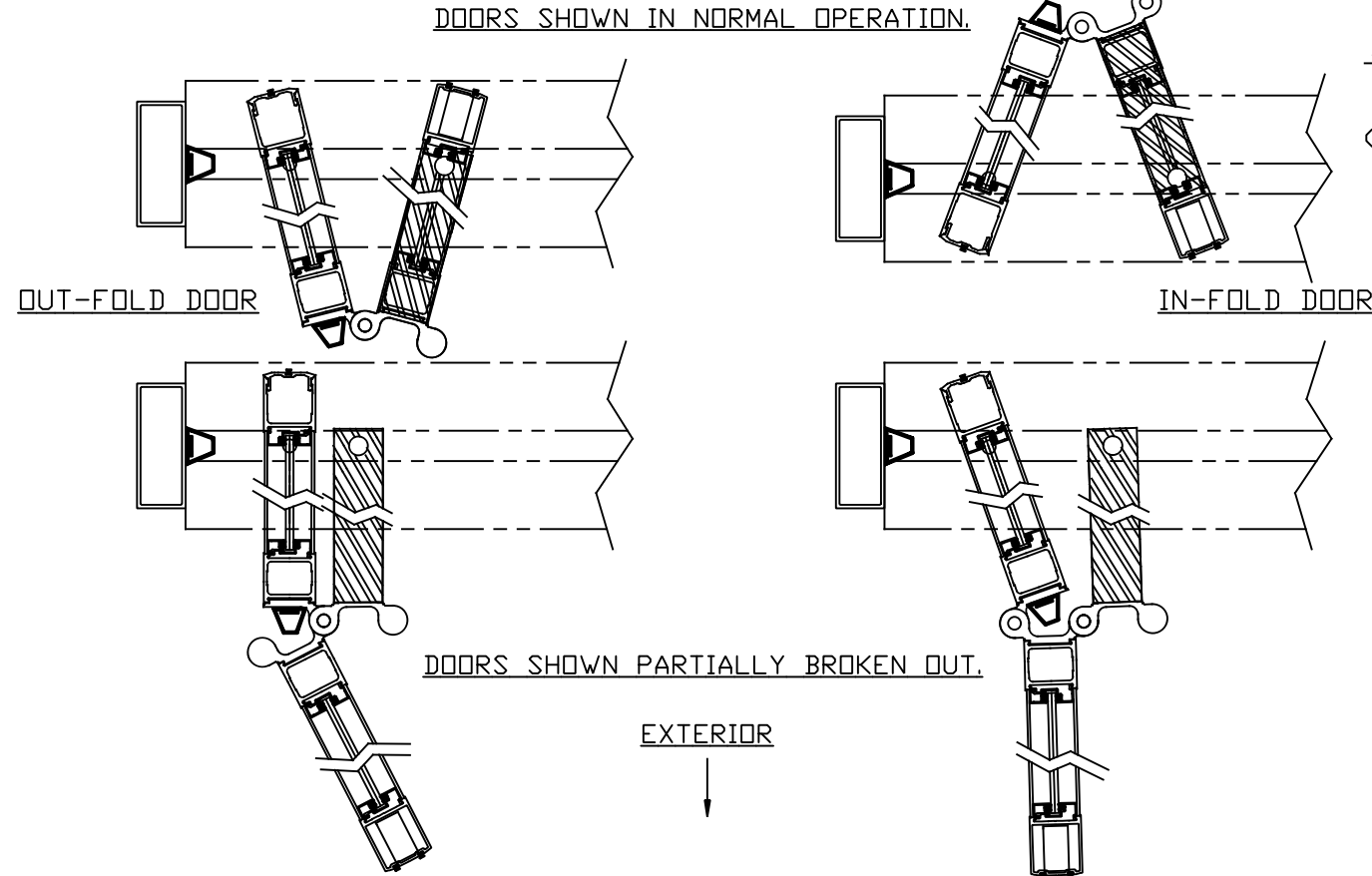
IN-FOLD



EXTERIOR

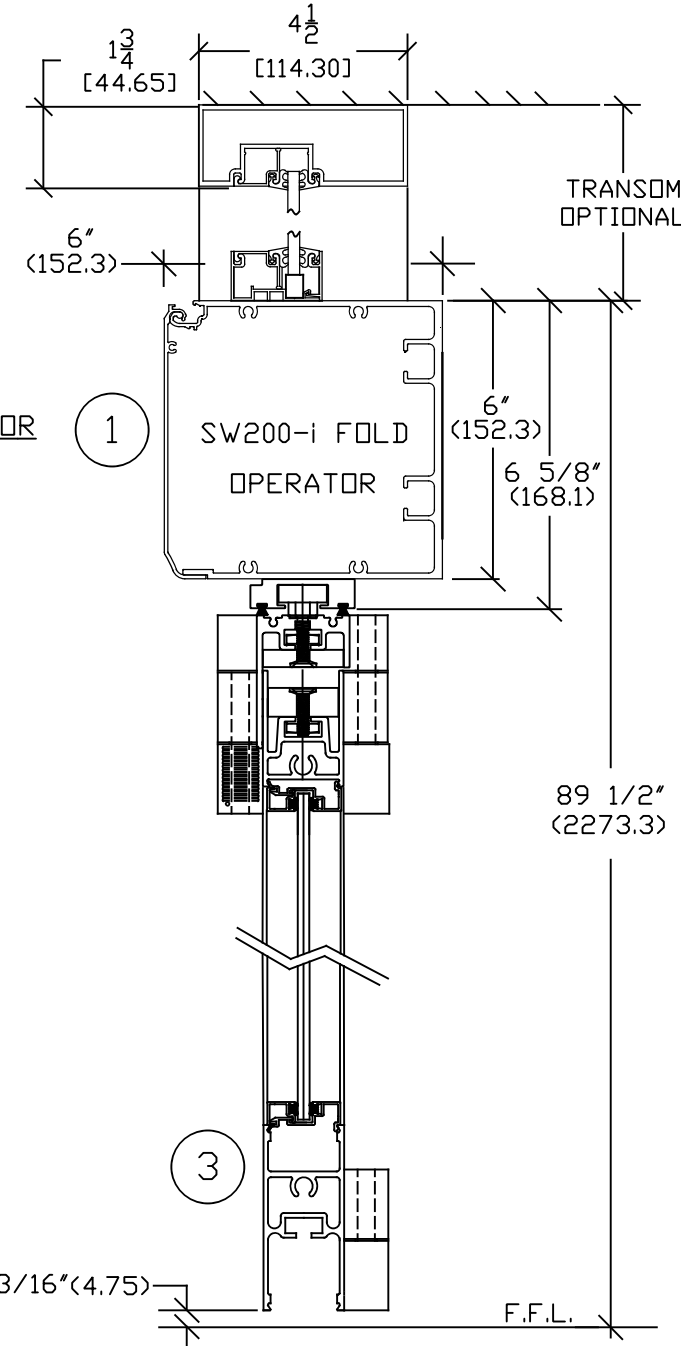


EXTERIOR

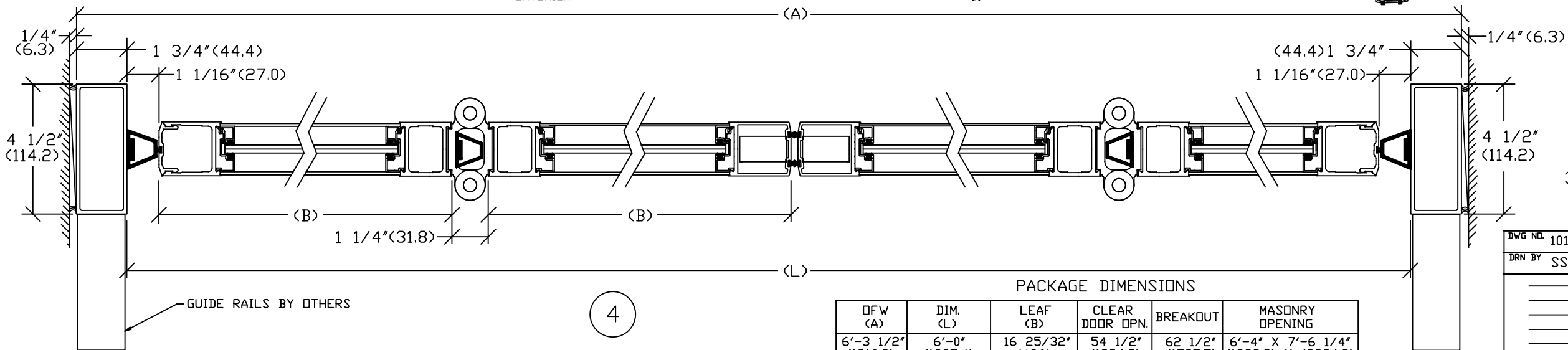


DOORS SHOWN PARTIALLY BROKEN OUT.

EXTERIOR



89 1/2" (2273.3)



GUIDE RAILS BY OTHERS

4

PACKAGE DIMENSIONS

DFW (A)	DIM. (L)	LEAF (B)	CLEAR DOOR OPN.	BREAKOUT	MASONRY OPENING
6'-3 1/2" (1916.2)	6'-0" (1827.4)	16 25/32" (426)	54 1/2" (1384.3)	62 1/2" (1587.5)	6'-4" X 7'-6 1/4" (1928.9) X (2284.3)
7'-3 1/2" (2220.8)	7'-0" (2132.0)	19 25/32" (502)	66 1/2" (1689.1)	74 1/2" (1892.3)	7'-4" X 7'-6 1/4" (2233.5) X (2284.3)
8'-3 1/2" (2525.4)	8'-0" (2436.5)	22 25/32" (579)	78 1/2" (1993.9)	86 1/2" (2197.1)	8'-4" X 7'-6 1/4" (2538.1) X (2284.3)
KEY:	DFW-3 1/2" (DFW-88.9)	L/4-1 7/32" (L/4-30.9)	L-17 1/2" (L-444.5)	L-9 1/2" (L-241.3)	

DWG NO:	1010756
DRN BY:	SS
DATE:	4/22/13
CHK BY:	CW
DATE:	4/22/13
REV.:	3.0
DATE:	1/18/18