

## ASSA ABLOY SW200i-FOLD WITH DOORS 2 PANEL CONCEALED FOLDING DOOR SYSTEM

### NOTES:

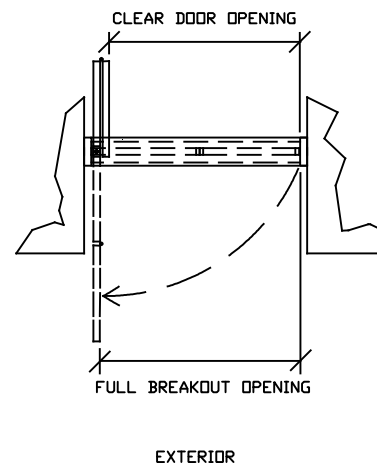
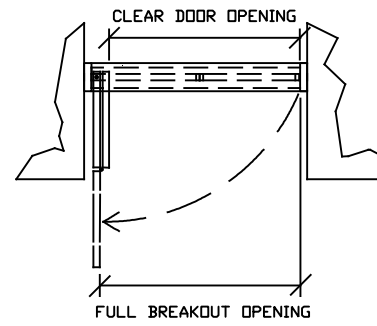
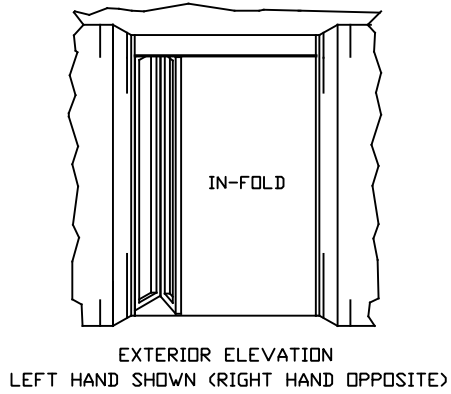
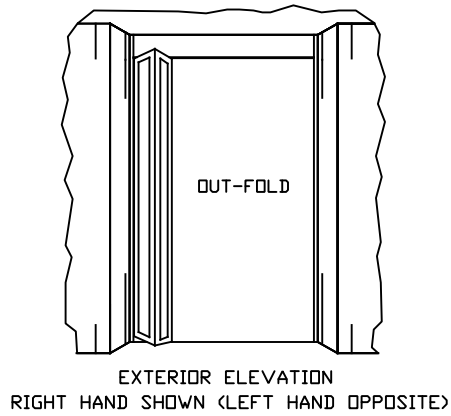
PACKAGE INCLUDES:  
AUTOMATIC OPERATOR, DOORS, FRAMES, WEATHERSTRIPPING, FINGERGUARDS,  
EMERGENCY BREAKAWAY, "3-POSITION" SWITCH (OFF - AUTO - HOLD OPEN),  
"2 POINT" LOCK SYSTEM AND SENSOR SYSTEM PER YOUR SELECTION. SEE  
I-ADAPT DRAWINGS 1010265 AND 1010266 FOR DETAILS ON SENSOR SYSTEM.

STANDARD FINISH:  
CLEAR - AA-M12C22A41, CLASS 1, .018 MM.  
DARK BRONZE - AA-M12C22A44, CLASS 1, .018 MM.  
SPECIAL FINISHES ARE AVAILABLE

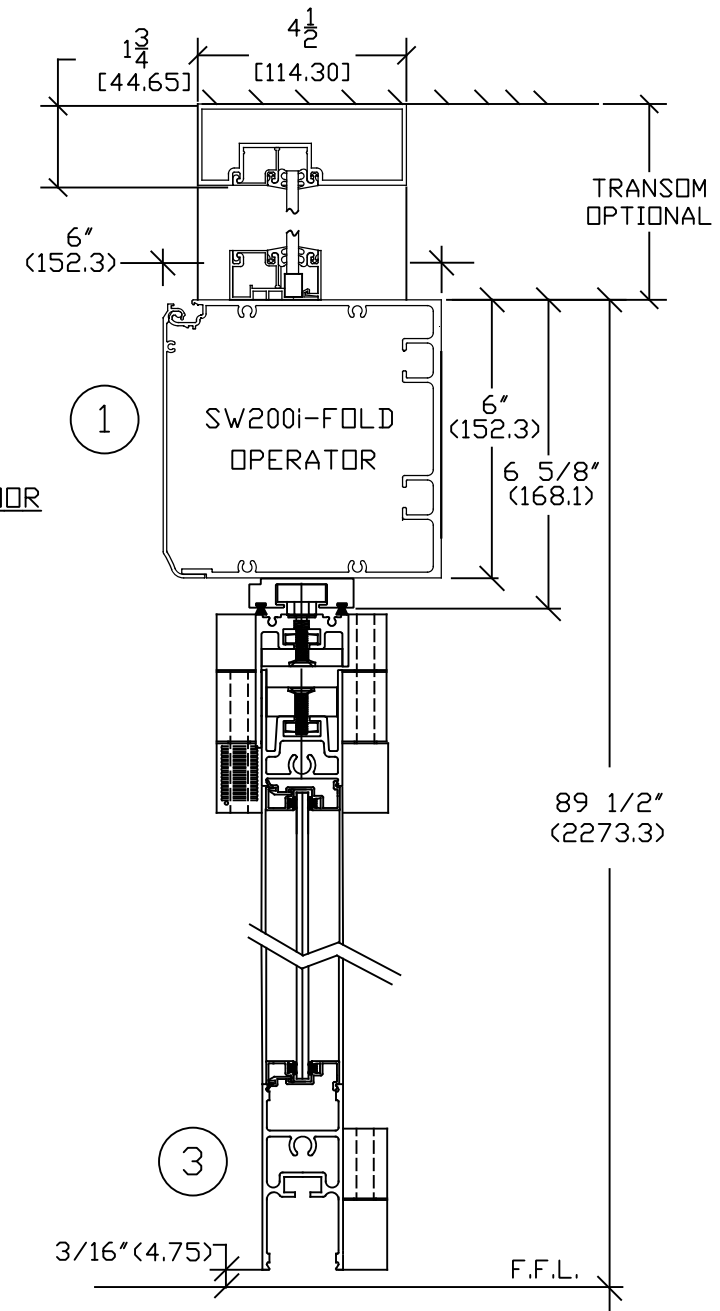
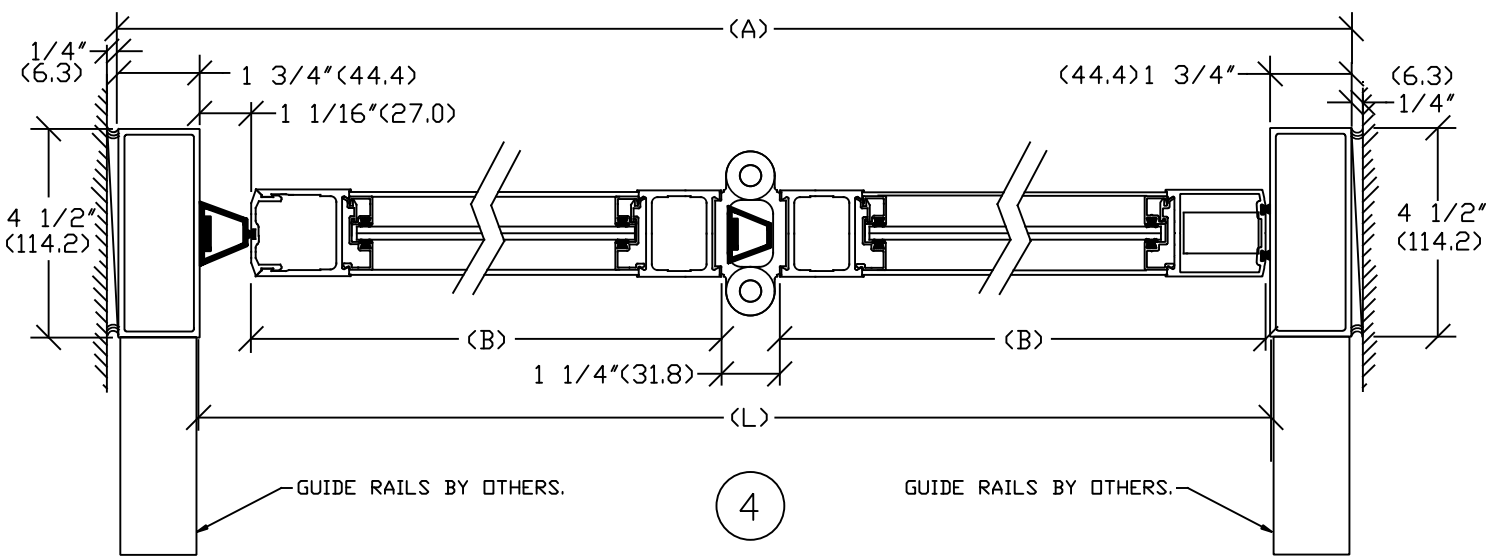
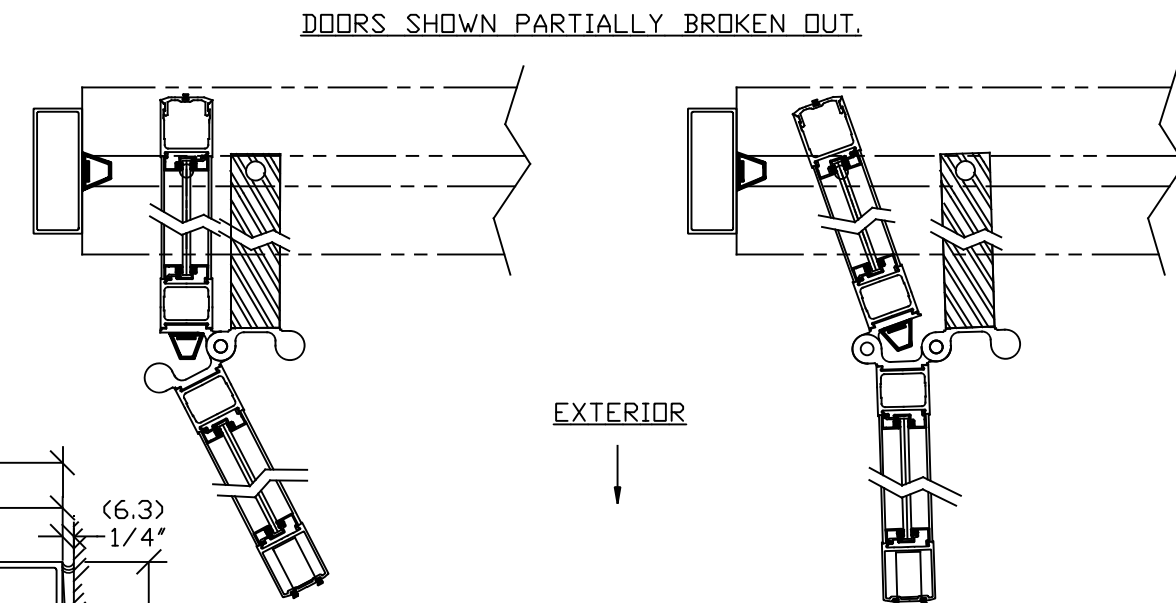
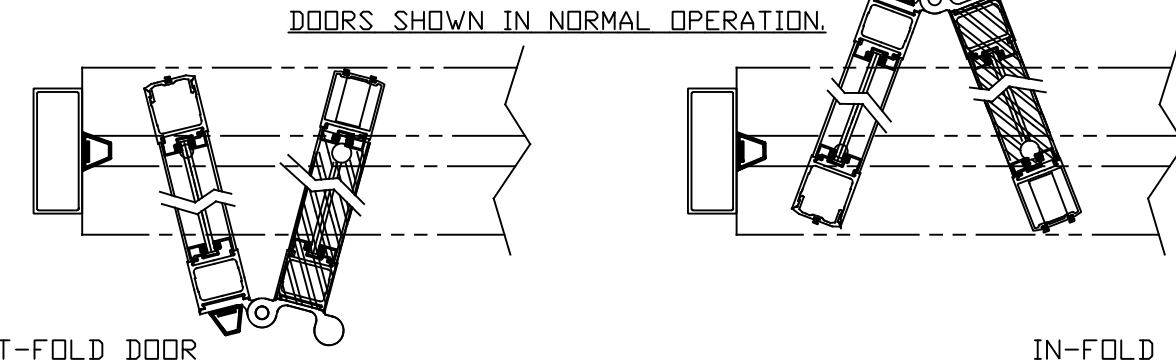
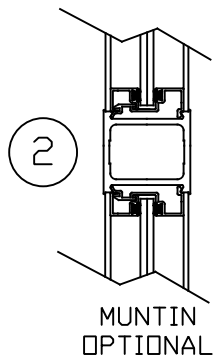
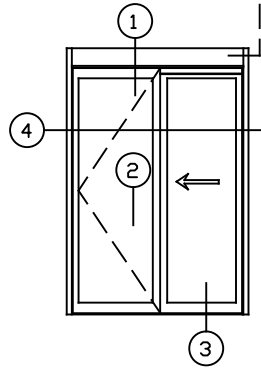
NOTE: OPERATIONAL ADJUSTMENTS TO BE  
IN ACCORDANCE WITH CURRENT  
ANSI/BHMA A156.10 FOR POWER  
OPERATED PEDESTRIAN DOORS

NOTE: DRAWING IS DIMENSIONED IN BOTH ENGLISH AND METRIC.  
REF. AS FOLLOWS: 1" (25.4). ALL METRIC SIZES ARE IN MILLIMETERS.

\* FOR MAXIMUM CURRENT DRAW PER OPERATOR, SEE PRODUCT SPECIFICATIONS,  
INSTALLATION INSTRUCTIONS, OR THE UL LABEL ON THE EQUIPMENT.



\* ELECTRICAL SERVICE 120 VAC,  
50/60 HZ., 15/20A., BY ELEC. CONTR.  
TO LOCK SIDE OF FRAME



### PACKAGE DIMENSIONS

DFW (A)	DIM. (L)	LEAF (B)	CLEAR DOOR OPN.	BREAKOUT	MASONRY OPENING
3'-9 1/2" (1154.8)	3'-6" (1066.0)	19 25/32" (502.4)	33 1/4" (844.6)	37 1/4" (946.2)	3'-10" X 7'-6 1/4" (1167.5) X (2284.3)
4'-3 1/2" (1307.1)	4'-0" (1218.3)	22 25/32" (578.6)	39 1/4" (997)	43 1/4" (1098.6)	4'-4" X 7'-6 1/4" (1319.8) X (2284.3)
KEY:	DFW-3 1/2" (DFW-88.8)	L/2-1 7/32" (L/2-30.9)	L-8 3/4" (L-222.3)	L-4 3/4" (L-120.7)	

DWG NO. 1010755	DRN BY SS	DATE 4/22/13	CHK BY CW	DATE 4/22/13	REV 3.0	DATE 1/18/18
-----------------	-----------	--------------	-----------	--------------	---------	--------------