

# ASSA ABLOY

ASSA ABLOY Entrance Systems  
 1900 Airport Road  
 Morrisville, NC 28110  
 Phone: 1-866-237-2687  
 SpeedDesk: [sales@assaabloy.com](mailto:sales@assaabloy.com)

## BESAM SW2001-FOLD WITH DOORS 4 PANEL SURFACE MOUNT FOLDING DOOR SYSTEM

### NOTES:

PACKAGE INCLUDES:  
 AUTOMATIC OPERATOR, DOORS, FRAMES, WEATHERSTRIPPING, FINGERGUARDS,  
 EMERGENCY BREAKAWAY, "3-POSITION" SWITCH (OFF - AUTO - HOLD OPEN),  
 "3-POINT" LOCK SYSTEM AND SENSOR SYSTEM PER YOUR SELECTION. SEE  
 I-ADAPT DRAWINGS 1010265 AND 1010266 FOR DETAILS ON SENSOR SYSTEM.

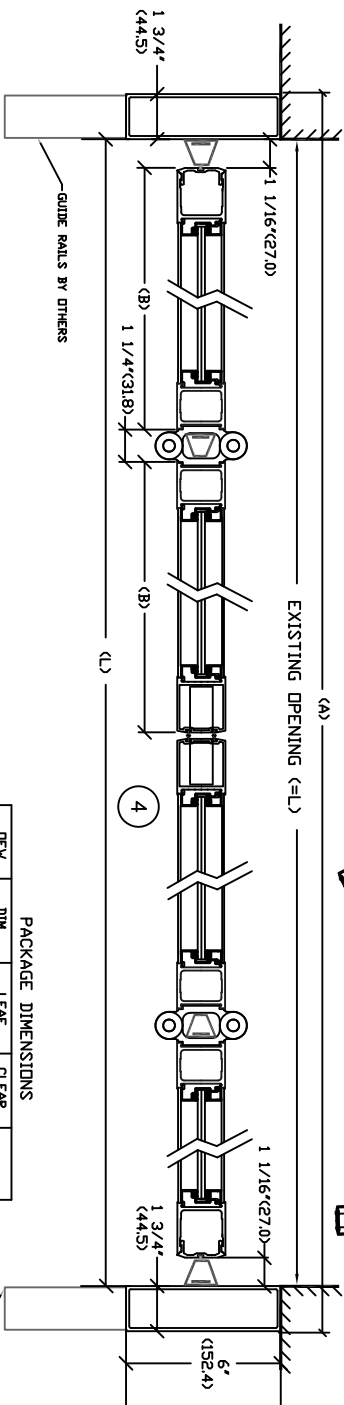
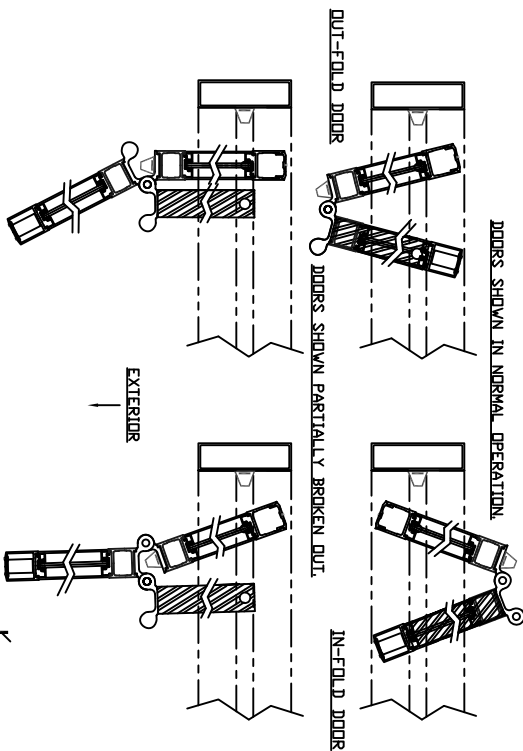
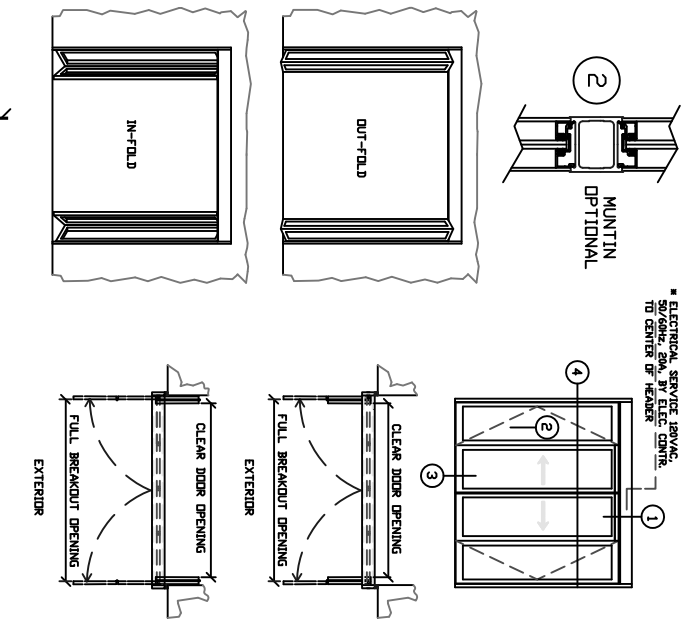
NOTE: DRAWING IS DIMENSIONED IN BOTH ENGLISH AND METRIC.  
 REF. AS FOLLOWS: 1" (25.4); ALL METRIC SIZES ARE IN MILLIMETERS.  
 \* FOR MAXIMUM CURRENT DRAW PER OPERATOR, SEE PRODUCT SPECIFICATION,  
 INSTALLATION INSTRUCTIONS, OR THE UL LABEL ON THE EQUIPMENT.

STANDARD FINISH:  
 CLEAR - AA-M12C22A41, CLASS 1, .018 MM.  
 DARK BRONZE - AA-M12C22A44, CLASS 1, .018 MM.  
 SPECIAL FINISHES ARE AVAILABLE.

NOTE: OPERATIONAL ADJUSTMENTS TO BE  
 IN ACCORDANCE WITH CURRENT  
 ANSI/BHMA A156.10 FOR POWER  
 OPERATED PEDESTRIAN DOORS

APPLY GULK SEAMS  
 WOOD OR STEEL  
 STUDS BY OTHERS.  
 FILLER PLATE  
 AS REQUIRED  
 BY OTHERS.

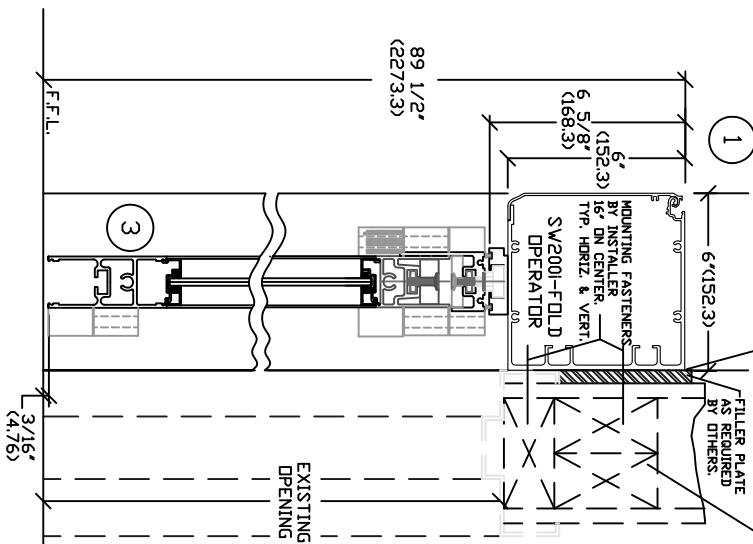
1



### PACKAGE DIMENSIONS

DFV (A)	DM (L)	LEAF (CB)	CLEAR DOOR OPN. (D)	BREAKOUT (E)
6'-3 1/2" (1916.2)	6'-0" (1827.4)	16 25/32" (426)	54 1/2" (1384.3)	62 1/2" (1587.5)
7'-3 1/2" (2252.8)	7'-0" (2133.6)	19 25/32" (492)	66 1/2" (1689.2)	74 1/2" (1897.5)
8'-3 1/2" (2552.8)	8'-0" (2438.4)	22 25/32" (572)	78 1/2" (1993.5)	86 1/2" (2197.5)
9'-3 1/2" (2852.8)	9'-0" (2738.4)	25 25/32" (652)	90 1/2" (2293.5)	98 1/2" (2501.5)

KEY	DFV-3 1/2" (DFV-88.9)	L/4-1 7/32" (L-44.5)	L-17 1/2" (L-444.5)	L-9 1/2" (L-241.3)
-----	-----------------------	----------------------	---------------------	--------------------



DATE	ISSUED	BY	DATE	BY	DATE	BY
10/07/58	SS	CV	4/22/13	CV	4/22/13	CV

# ASSA ABLOY