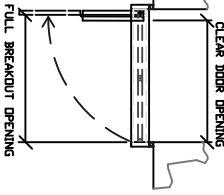
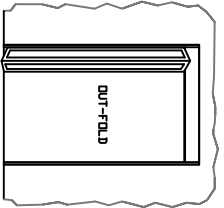


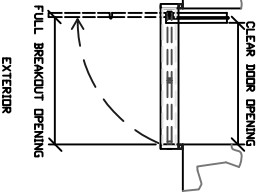
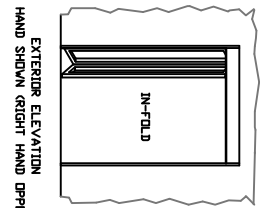
ASSA ABLOY

ASSA ABLOY Entrance Systems
 1900 Airport Road
 Monroe, NC 28110
 Phone: 1-866-237-2687
 specs@sknabe.com assaabloys.com

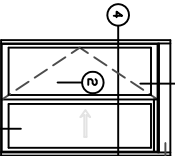
BESAM SW2001-FOLD WITH DOORS 2 PANEL SURFACE MOUNT FOLDING DOOR SYSTEM



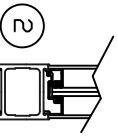
RIGHT HAND SHOWN LEFT HAND OPPOSITES



LEFT HAND SHOWN RIGHT HAND OPPOSITES



* ELECTRICAL SERVICE 180VAC,
 30/ 60 HZ, 15/20A, BY ELEC. CONTR.
 TO LOCK SIDE OF FRAME

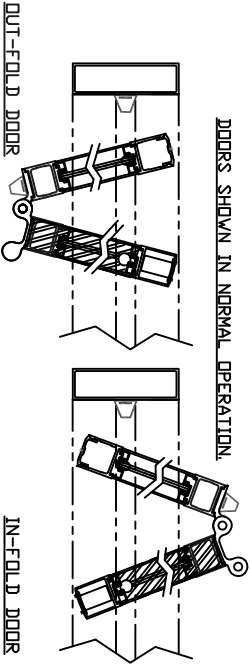


2

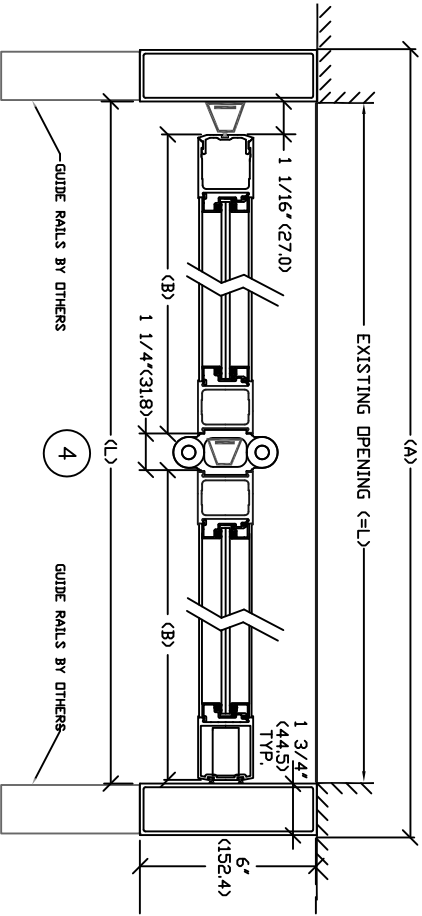
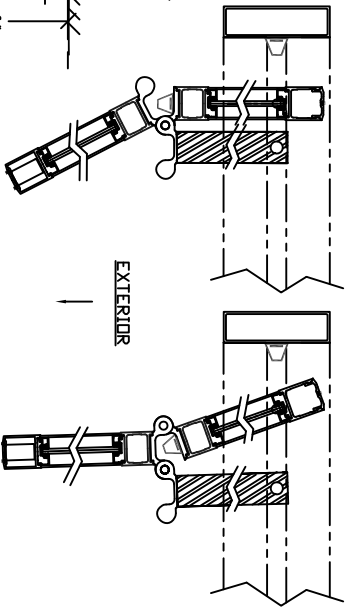
MOUNTING
 OPTIONAL

NOTES:
 PACKAGE INCLUDES:
 AUTOMATIC OPERATOR, DOORS, FRAMES, WEATHERSTRIPPING, FINGERGUARDS,
 EMERGENCY BREAKAWAY, *3-POSITION* SWITCH (OFF - AUTO - HOLD OPEN),
 2-POINT LOCK SYSTEM AND SENSOR SYSTEM PER YOUR SELECTION, SEE
 I-ADAPT DRAWINGS 1010265 AND 1010266 FOR DETAILS ON SENSOR SYSTEM.
 NOTE: DRAWING IS DIMENSIONED IN BOTH ENGLISH AND METRIC.
 REF. AS FOLLOWS: 1" (25.4), ALL METRIC SIZES ARE IN MILLIMETERS.
 * FOR MAXIMUM CURRENT DRAW PER OPERATOR, SEE PRODUCT SPECIFICATION,
 INSTALLATION INSTRUCTIONS, OR THE UL LABEL ON THE EQUIPMENT.

DOORS SHOWN IN NORMAL OPERATION.



DOORS SHOWN PARTIALLY BROKEN OUT.

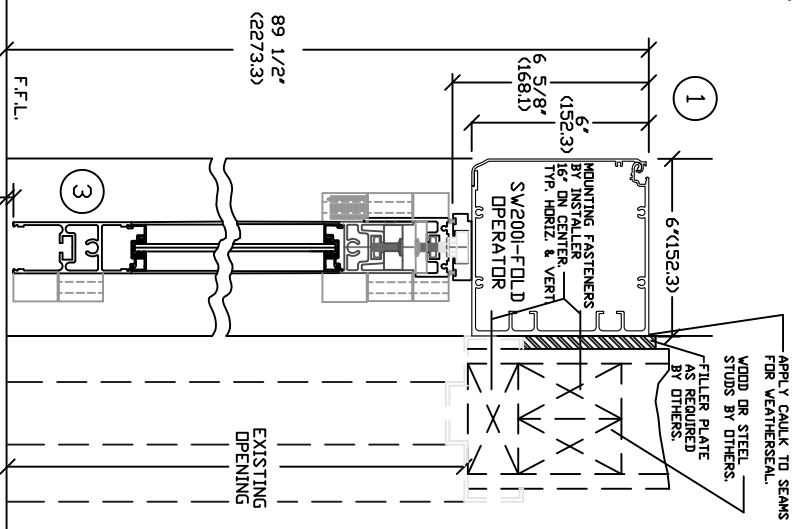


PACKAGE DIMENSIONS

DFV (A)	DM (L)	LEAF (B)	CLEAR DOOR DM (C)	BREAKOUT (L)
3'-6 1/2"	3'-2"	19 25/32"	39 1/4"	37 1/4"
4'-3 1/2"	3'-6"	22 25/32"	39 1/4"	43 1/4"
4'-9 1/2"	4'-0"	25 25/32"	39 1/4"	49 1/4"
4'-9 1/2"	(1218.3)	655.48	45 1/4"	49 1/4"
4'-9 1/2"	(1371.6)	655.48	45 1/4"	49 1/4"
KEY:	DFV-3 1/2" (L/2-1 7/32"	L-8 3/4"	L-4 3/4"	L-120.7)
	DFV-88.8)	(L/2-30.9)	L-222.3)	(L-120.7)

* CHECK LOCAL CODE FOR BREAKOUT LEAF SIZES.

NOTE : OPERATIONAL ADJUSTMENTS TO BE
 IN ACCORDANCE WITH CURRENT
 ANSI/BHMA A156.10 FOR POWER
 OPERATED PEDESTALIAN DOORS



ASSA ABLOY

DATE: 10/07/17

TIME BY: SS DATE: 4/22/13

TIME BY: CV DATE: 4/22/13

TIME BY: 2.0 DATE: 3-29-16