

# ASSA ABLOY

ASSA ABLOY Entrance Systems  
 1900 Airport Road  
 Monroe, NC 28110  
 Phone: 1-866-237-2667  
 specdesk@assabloy.com

## BESAM SW2001-FOLD WITH DOORS 2 PANEL CONCEALED FOLDING DOOR SYSTEM

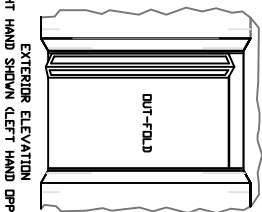
### NOTES:

PACKAGE INCLUDES:  
 AUTOMATIC OPERATOR, DOORS, FRAMES, WEATHERSTRIPPING, FINGERGUARDS,  
 EMERGENCY BREAKAWAY, "3-POSITION" SWITCH (OFF - AUTO - HOLD OPEN),  
 "2 POINT" LOCK SYSTEM AND SENSOR SYSTEM PER YOUR SELECTION. SEE  
 I-ADAPT DRAWINGS 1010265 AND 1010266 FOR DETAILS ON SENSOR SYSTEM.

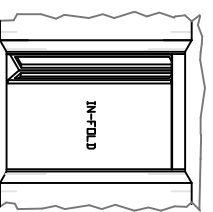
NOTE: DRAWING IS DIMENSIONED IN BOTH ENGLISH AND METRIC.  
 REF. AS FOLLOWS: 1' (25.4) ALL METRIC SIZES ARE IN MILLIMETERS.  
 \* FOR MAXIMUM CURRENT DRAW PER OPERATOR, SEE PRODUCT SPECIFICATIONS,  
 INSTALLATION INSTRUCTIONS, OR THE UL LABEL ON THE EQUIPMENT.

STANDARD FINISH:  
 CLEAR BRNZE - AA-M12C22A41, CLASS 1, .018 MM,  
 DARK BRNZE - AA-M12C22A44, CLASS 1, .018 MM,  
 SPECIAL FINISHES ARE AVAILABLE

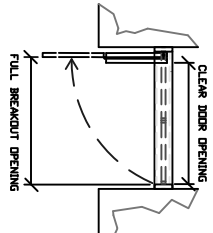
NOTE: OPERATIONAL ADJUSTMENTS TO BE  
 IN ACCORDANCE WITH CURRENT  
 ANSI/BHMA A156.10 FOR POWER  
 OPERATED PEDESTRIAN DOORS



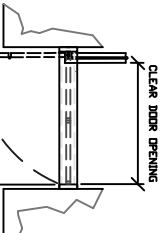
EXTERIOR ELEVATION  
 RIGHT HAND SHOWN LEFT HAND DEPOSITED



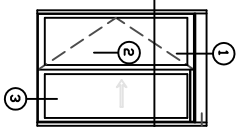
EXTERIOR ELEVATION  
 LEFT HAND SHOWN RIGHT HAND DEPOSITED



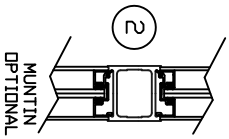
EXTERIOR



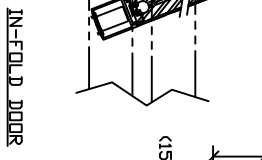
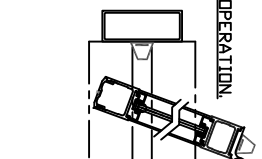
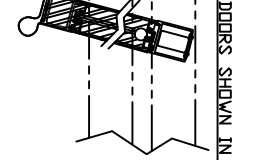
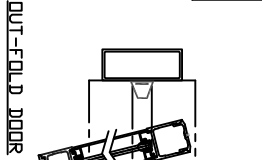
EXTERIOR



\* ELECTRICAL SERVICE 180 VAC,  
 50/60 HZ, 15/20A, BY ELEC. CONTR.  
 TO LOCK SIDE OF FRAME

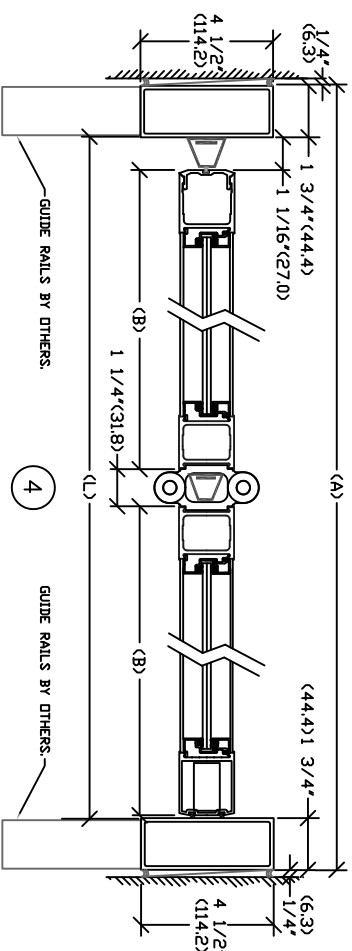


MULTI-POINT  
 OPTIONAL



DOORS SHOWN IN NORMAL OPERATION.

DOORS SHOWN PARTIALLY BROKEN OUT.



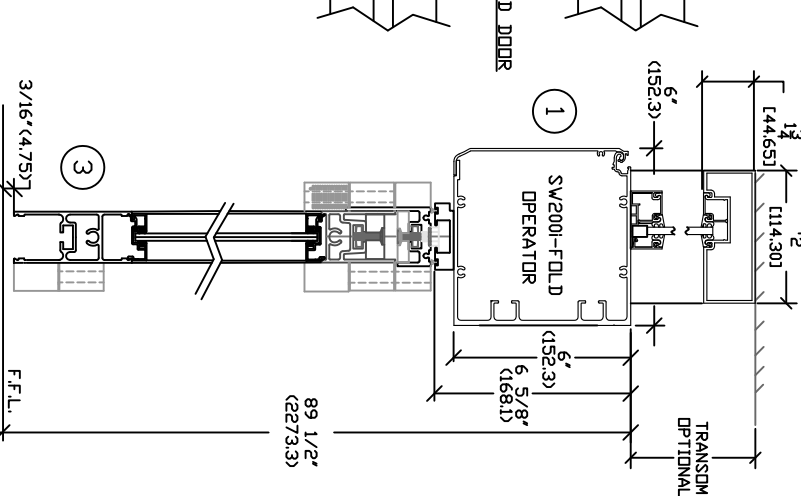
GUIDE RAILS BY OTHERS

GUIDE RAILS BY OTHERS

4

PACKAGE DIMENSIONS

| DFV             | DM          | LEAF      | CLEAR     | BREAKOUT | MASONRY             |
|-----------------|-------------|-----------|-----------|----------|---------------------|
| (A)             | (L)         | (B)       | DOOR OPEN |          | OPENING             |
| 3'-9 1/2"       | 3'-6"       | 19 29/32" | 33 1/4"   | 37 1/4"  | 3'-10" X 7'-6 1/4"  |
| (115.48)        | (106.60)    | (502.4)   | (844.6)   | (946.2)  | (1167.5) X (2284.3) |
| 4'-3 1/2"       | 4'-0"       | 22 29/32" | 39 1/4"   | 43 1/4"  | 4'-4" X 7'-6 1/4"   |
| (1307.1)        | (1218.3)    | (578.6)   | (997)     | (1098.6) | (1319.8) X (2284.3) |
| KEY: DFV-3 1/2" | L/2-1 7/32" | L-8 3/4"  | L-8 3/4"  | L-4 3/4" |                     |
| DFV-88(8)       | L/2-2-30(9) | L-22(23)  | L-22(23)  | L-12(17) |                     |



# ASSA ABLOY

DATE: 10/07/25  
 DRAWN BY: SS DATE: 4/22/13  
 CHECK BY: CV DATE: 4/22/13  
 REVISION: 2.0 DATE: 3/29/16